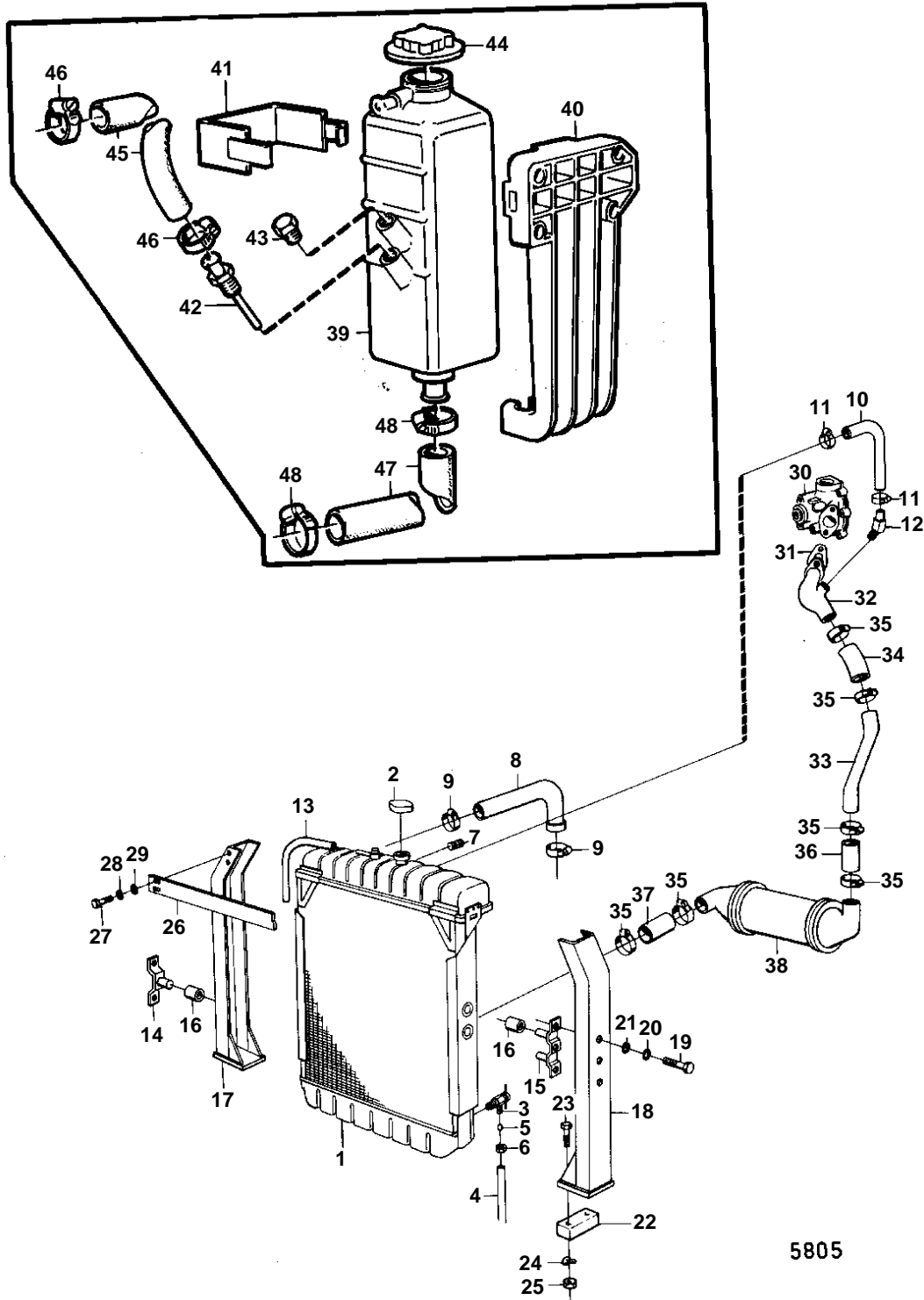


D70CRC,TD70CRC



**D70CRC,TD70CRC**

REF	PART NO.	QTY	DESCRIPTION	SEE SEC.	NOTES
1	821160	1	Radiator, RADIATOR		3"
				02B-0800	
2	344753	1	Radiator cap		
3	820436	1	Drain cock		
4	954305	X	Copper tube		L = 195 MM
5	954365	1	Fitting		
6	954357	1	Cap nut		(954350)
7	952075	1	Plug		
8	821124	1	Hose		
9	943480	2	Clamp		
10	342761	1	Hose hook		
11	943475	2	Hose clamp		
12	942649	1	Nipple		
13	192618	X	Hose		L = 1400 MM
14	341907	2	Attaching plate		
15	341909	1	Attaching plate		
16	823381	4	Rubber cushion		
17	820779	1	Bracket		
18	820781	1	Bracket		
19	940135	7	Screw		
20	941907	7	Spring washer		
21	899990	7	Washer		
22	844505	4	Spacer plate		
23	940115	6	Screw		L = 25 MM
	955535	2	Screw		L = 35 MM
24	942336	8	Spring washer		
25	955827	8	Nut		
26	821052	1	Bracket		
27	955528	4	Screw		
28	955894	4	Washer		
29	941907	4	Spring washer		
30		1	CIRCULATION PUMP	02B-0325	
31	420171	1	Gasket	02B-0325	
32	820800	1	Tube	02B-0325	
33	820771	1	Tube		
34	821128	1	Hose	02B-0325	
35	943480	6	Clamp		
36	952980	X	Rubber hose		L = 90 MM (943372)
37	821684	1	Hose		
38		1	OIL COOLER	02B-0375	
39	844062	1	Expansion tank		
40	843260	1	Bracket		
41	843266	1	Clamp		
42	843247	1	Tube		
43	947660	1	Plug		(836268)
44	844624	1	Pressure cap		
45	943366	X	Hose		L = 600 MM
46	943469	2	Clamp		
47	952969	X	Rubber hose		(943368) L = 600 MM
48	952980	2	Rubber hose		(943472)