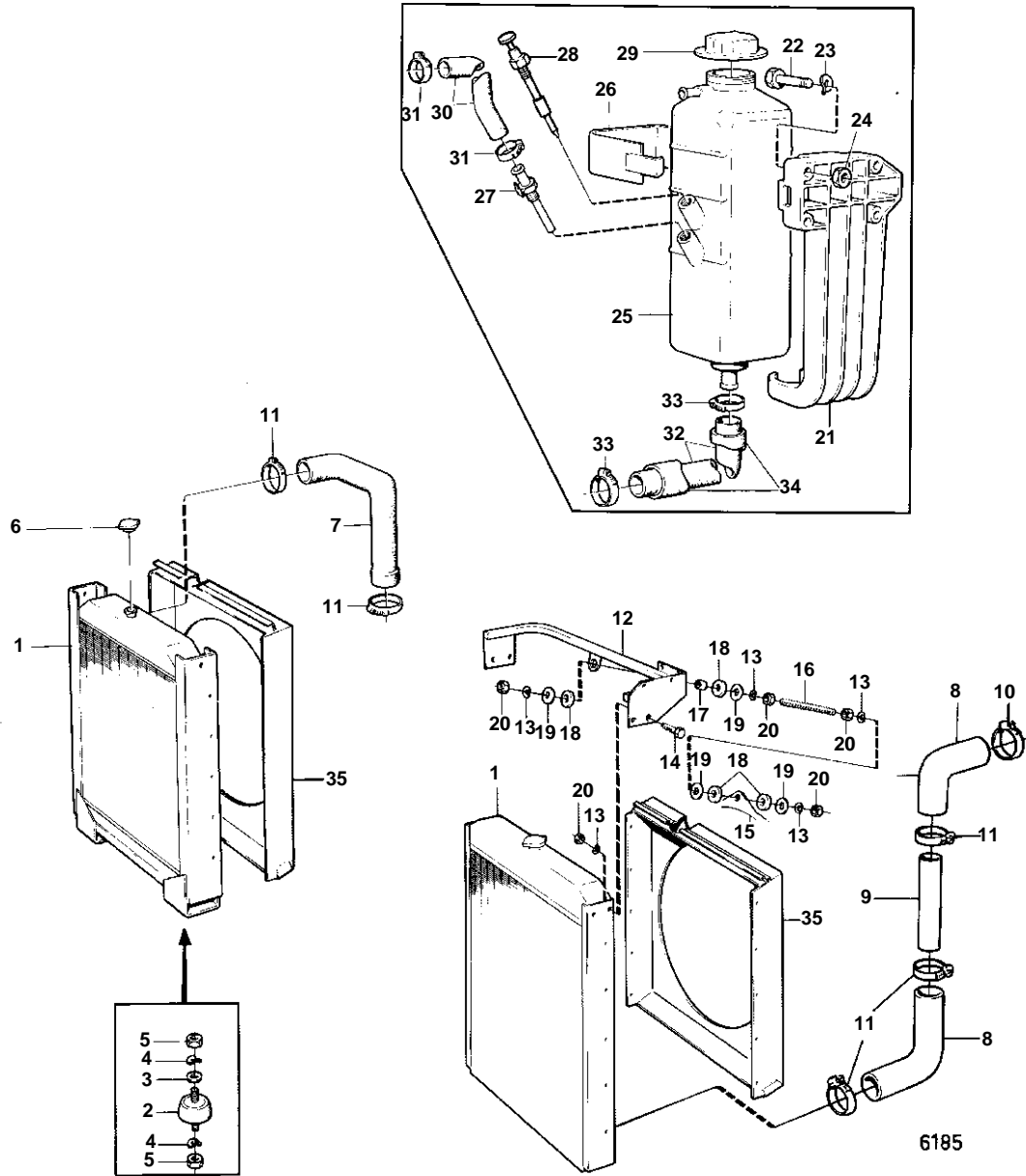


D70CRC,TD70CRC



D70CRC,TD70CRC

REF	PART NO.	QTY	DESCRIPTION	SEE SEC.	NOTES
1	844090	1	Radiator		3"REPL BY 863799
	863799	1	Radiator		
2	807464	2	Rubber cushion		
3	955898	2	Washer		
4	940280	4	Spring washer		
5	955850	4	Nut		
6	344753	1	Radiator cap		(323685)
7	845186	1	Radiator hose		
8	836106	2	Hose		
9	846581	1	Coolant pipe		
10	943479	1	Hose clamp		
11	943480	5	Clamp		
12	845399	1	Bracket		
13	941907	8	Spring washer		
14	955294	4	Screw		
15	845396	1	Attaching lug		
16	845404	1	Control rod		
17	403894	2	Spacer sleeve		
18	403877	4	Bushing		
19	418531	4	Washer		
20	955782	8	Nut		
21	843260	1	Bracket		
22	955320	4	Screw		
23	941908	4	Spring washer		
24	955783	4	Nut		
25	844062	1	Expansion tank		
26	843266	1	Clamp		
27	843247	1	Tube		
28	352390	1	Level indicator		
29	844624	1	Pressure cap		
30	943366	X	Hose		(949381) L = 600 MM
31	945651	2	Hose clamp		
32	952969	1	Rubber hose		(943368) L = 600 MM
33	943472	2	Hose clamp		
34	826224	1	Hose		
35		1	FAN AND BELT PROTECTION	02B-0800	