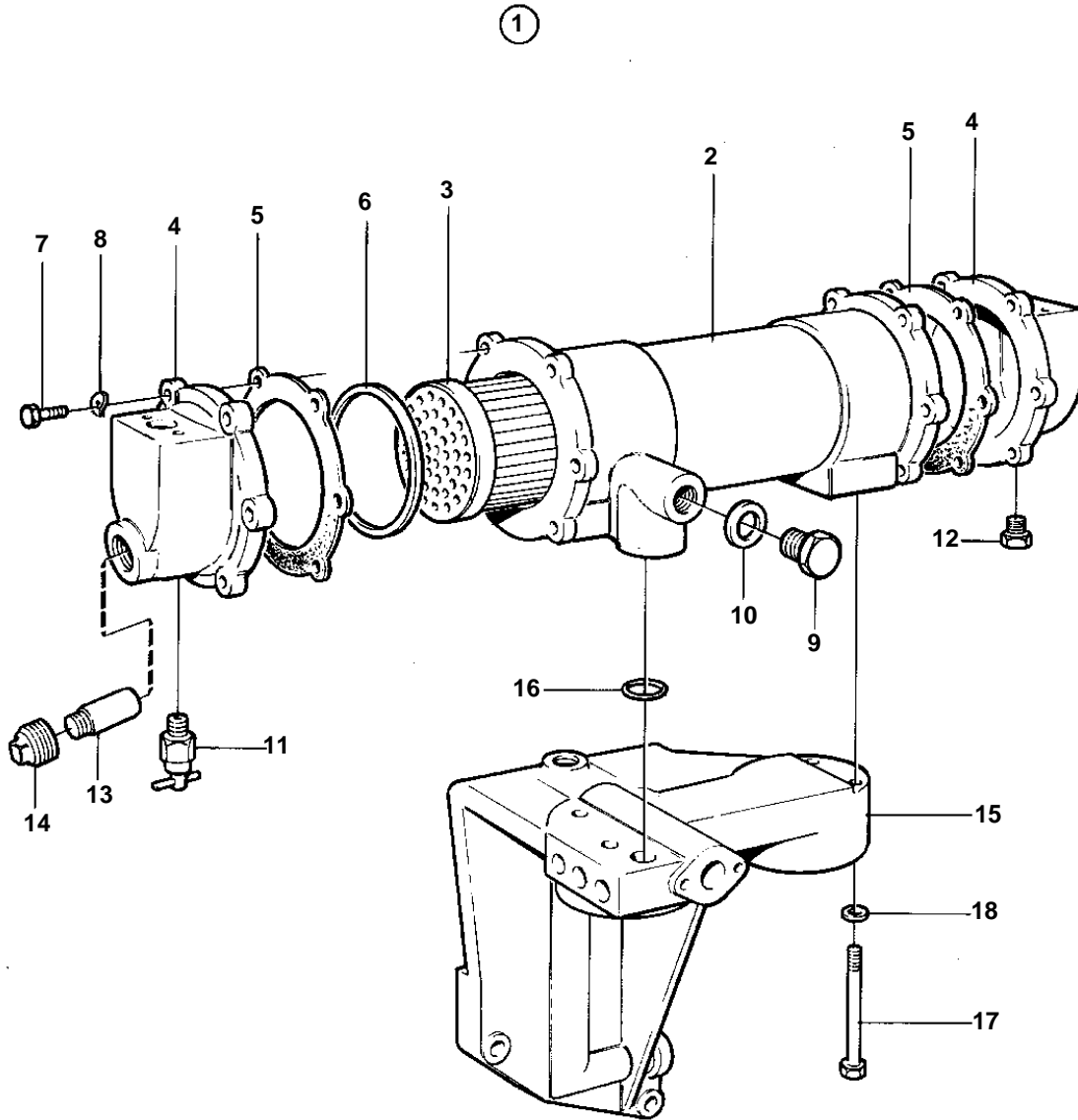


D70CHC,TD70CHC



5135

D70CHC,TD70CHC

REF	PART NO.	QTY	DESCRIPTION	NOTES
1	844075	1	Oil cooler	
2	863279	1	· Housing	(820515)
3	864212	1	· Insert	(821089)
4	843938	2	· Cover	
5	862601	2	· Gasket	(806153)
6	806154	1	· Sealing ring	
7	955513	6	· Screw	L = 19 MM
	955514	6	· Screw	L = 25 MM
8	941906	12	· Spring washer	
9	914390	1	· Plug	
10	907133	1	· Washer	
11	82744	1	· Tap	
12	180759	1	· Plug	
13	838929	2	· Zinc anod	(800476)
14	838928	2	· Plug	(800475)
15		1	BRACKET	SEE GROUP 2A
16	955987	1	O-ring	SEE GROUP 2A
17	956571	3	Screw	L = 32 MM SEE GROUP 2A
	956572	1	Screw	L = 38 MM SEE GROUP 2A
18	11992	4	Gasket	IK SEE GROUP 2A