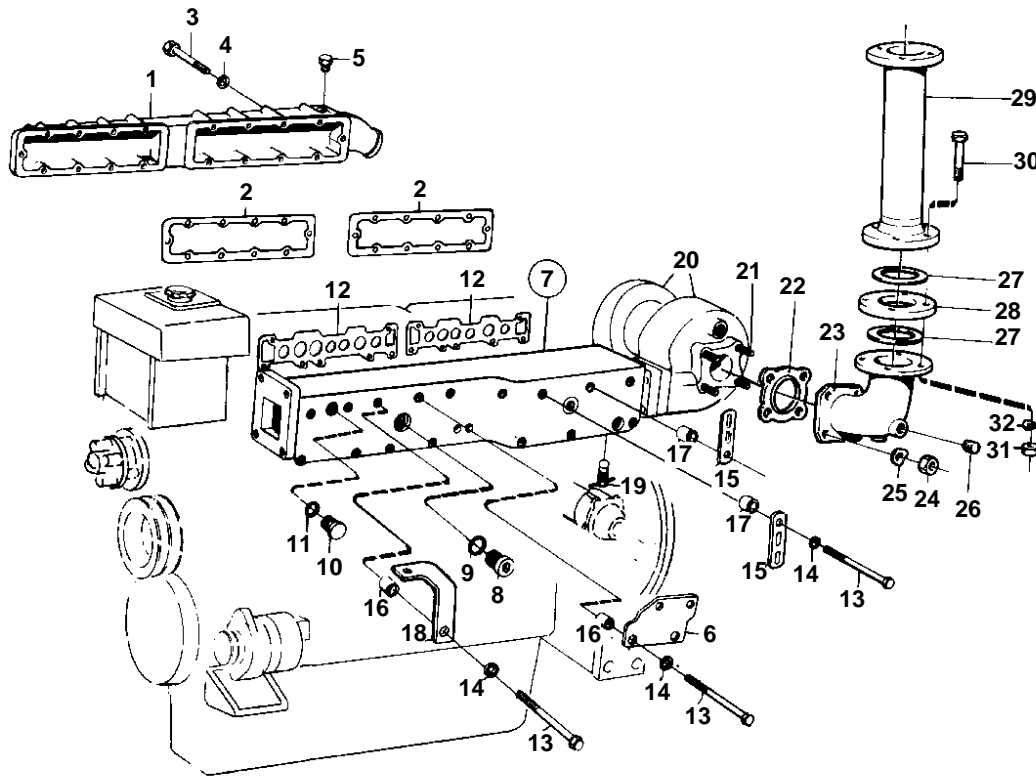


TD70CHC,TD70CRC



5804

TD70CHC,TD70CRC

REF	PART NO.	QTY	DESCRIPTION	SEE SEC.	NOTES
1	821639	1	Inlet pipe		
2	424612	2	Gasket	IK	(421071)
3	940136	5	Screw		L = 64 MM
	955530	10	Screw		L = 83 MM
4	941907	15	Spring washer		
5	191026	1	Plug		
	824234	1	Bracket		SEE GROUP 2C
7	875706	1	Exhaust pipe		
8	467367	6	· Plug		
9	469328	6	· Gasket	IK	
10	301185	2	· Plug	IK	
11	957185	2	· Gasket	IK	
12	862634	2	Gasket	IK	(842531)
13	942338	4	Screw		L = 114 MM
	955544	8	Screw		L = 102 MM
	959797	5	Screw		L = 140 MM. WHEN DOUBLE SHEATED FUEL PIPES ARE NOT INSTALLED.
	959797	6	Screw		L = 140 MM. WHEN DOUBLE SHEATED FUEL PIPES ARE INSTALLED.
	959798	3	Screw		L = 152 MM. WHEN DOUBLE SHEATED FUEL PIPES ARE NOT INSTALLED.
	959798	2	Screw		L = 152 MM. WHEN DOUBLE SHEATED FUEL PIPES ARE INSTALLED.
14	942336	20	Spring washer		
15	965535	3	Bracket		WHEN DOUBLE SHEATED FUEL PIPES ARE NOT INSTALLED.
	965535	2	Bracket		WHEN DOUBLE SHEATED FUEL PIPES ARE INSTALLED.
16	912127	4	Spacer sleeve		WHEN DOUBLE SHEATED FUEL PIPES ARE NOT INSTALLED.
	912127	2	Spacer sleeve		WHEN DOUBLE SHEATED FUEL PIPES ARE INSTALLED.
17	912128	3	Spacer ring		WHEN DOUBLE SHEATED FUEL PIPES ARE NOT INSTALLED.
	912128	2	Spacer ring		WHEN DOUBLE SHEATED FUEL PIPES ARE INSTALLED.
18	844575	2	Attaching plate		WHEN DOUBLE SHEATED FUEL PIPES ARE NOT INSTALLED.
19	82745	1	Tap		
20		1	TURBO WITH INSTALLATION COMPONENTS	02B-0550	
21	924079	4	Stud		
22	424631	1	Gasket		(347096)
23	822089	1	Exhaust riser		
24	943927	4	Nut		
25	941908	4	Spring washer		
26	192154	2	Plug		
27	862594	2	Gasket		(807578)
28	820905	1	Connection flange		
29	820900	1	Exhaust hose		L = 590 MM
30	955592	4	Screw		
31	955829	4	Nut		
32	941912	4	Spring washer		