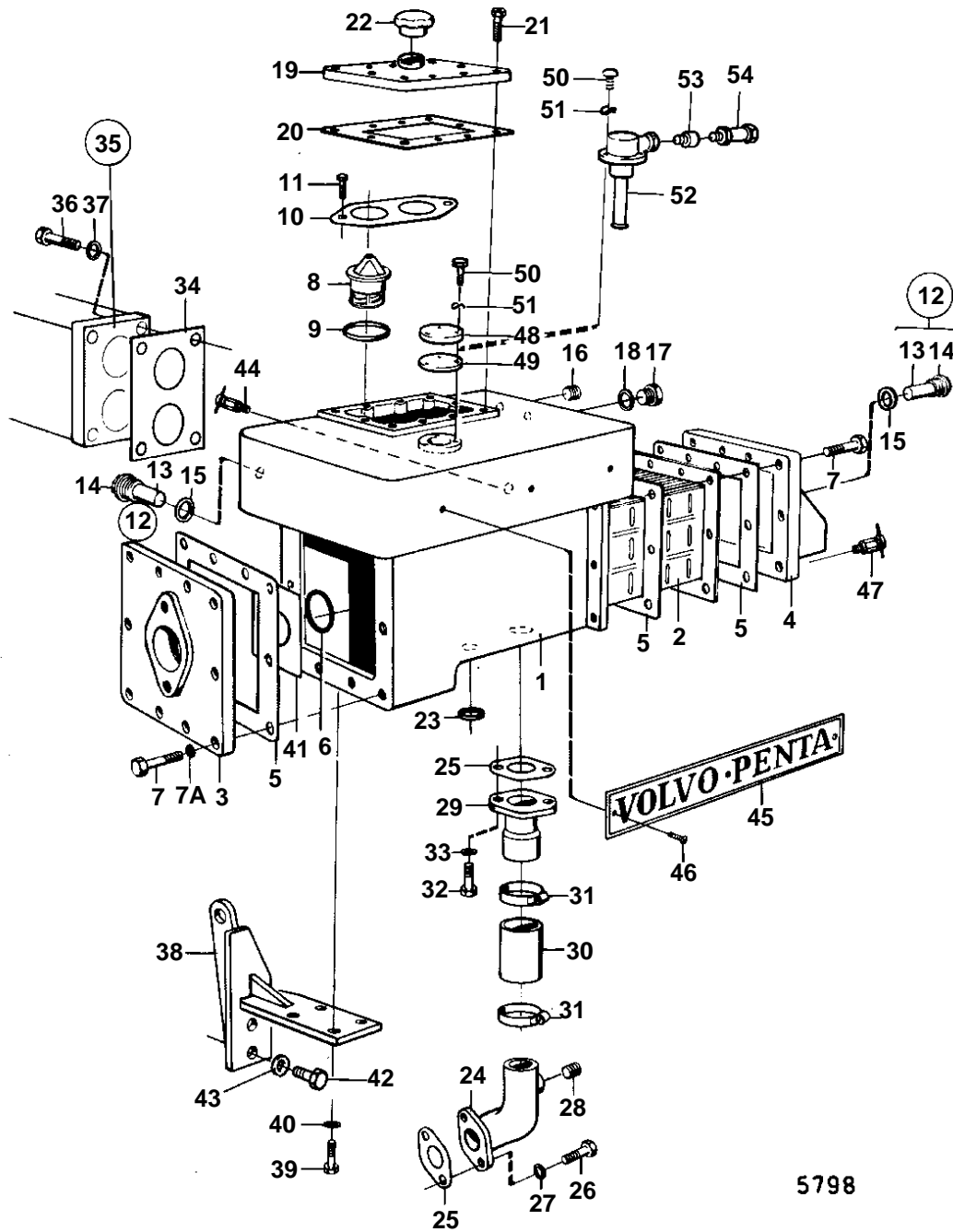


D70CHC,TD70CHC



HEAT EXCHANGER AND THERMOSTAT WITH INSTALLATION COMPONENTS

02B

D70CHC,TD70CHC

REF	PART NO.	QTY	DESCRIPTION	SEE SEC.	NOTES
1	843811	1	Housing		
2	823581	1	Heat exchanger eleme		
3	809219	1	End plate		
4	843999	1	Cover		
5	809221	3	Gasket		
6	925064	2	O-ring		
7	940135	20	Screw		
7A	941907	20	Spring washer		
8	875787	2	Thermostat kit		76%Z9
	875788	2	Thermostat kit		70%Z9
9	416033	2	Sealing ring		
10	824135	1	Plate		
11	941443	2	Screw		
12	823660	3	Zinc electrode		REPL BY 823661
13	823661	3	· Zinc electrode		
14	823662	3	· Plug		
15	836169	3	Gasket		
16	952077	2	Plug		WHEN COOLANT SUPERVISION IS NOT INSTALLED
	952077	1	Plug		WHEN COOLANT SUPERVISION IS INSTALLED
	844127	1	Nipple		SEE GROUP 3. WHEN COOLANT SUPERVISION IS INSTALLED
17	180761	2	Plug		
18	11996	2	Gasket		
19	820566	1	Cover		
20	820569	1	Gasket		
21	950145	10	Screw		
22	350578	1	Pressure cap		(321973)
23	420162	1	Seal	02B-0300	
24	821033	1	Tube		
25	420171	2	Gasket	IK	
26	956570	2	Screw		
27	941907	2	Spring washer		
28	952077	1	Plug		
29	821175	1	Hose attachment		
30	952979	X	Rubber hose		L = 60 MM
31	943479	2	Hose clamp		
32	955525	2	Screw		
33	941907	2	Spring washer		
34	862744	1	Gasket	IK	(820604)
35		1	EXHAUST MANIFOLD	02B-0650	
				02B-0700	
36	940160	4	Screw		
37	941909	4	Spring washer		
38	836971	1	Bracket		
39	940115	4	Screw		
40	942336	4	Spring washer		
41	820943	1	Gasket		
42	955561	2	Screw		
43	940280	2	Spring washer		
44	82744	1	Tap		
45	820232	1	Sign		
46	950210	3	Screw		
47	82745	1	Tap		
48	843760	1	Cover		
49	863715	1	Gasket		(843761)
50	956076	4	Screw		
51	941905	4	Spring washer		
52	863777	1	Level guard		(837797)
53	843906	1	Reducer sleeve		
54	881191	1	Cable union		