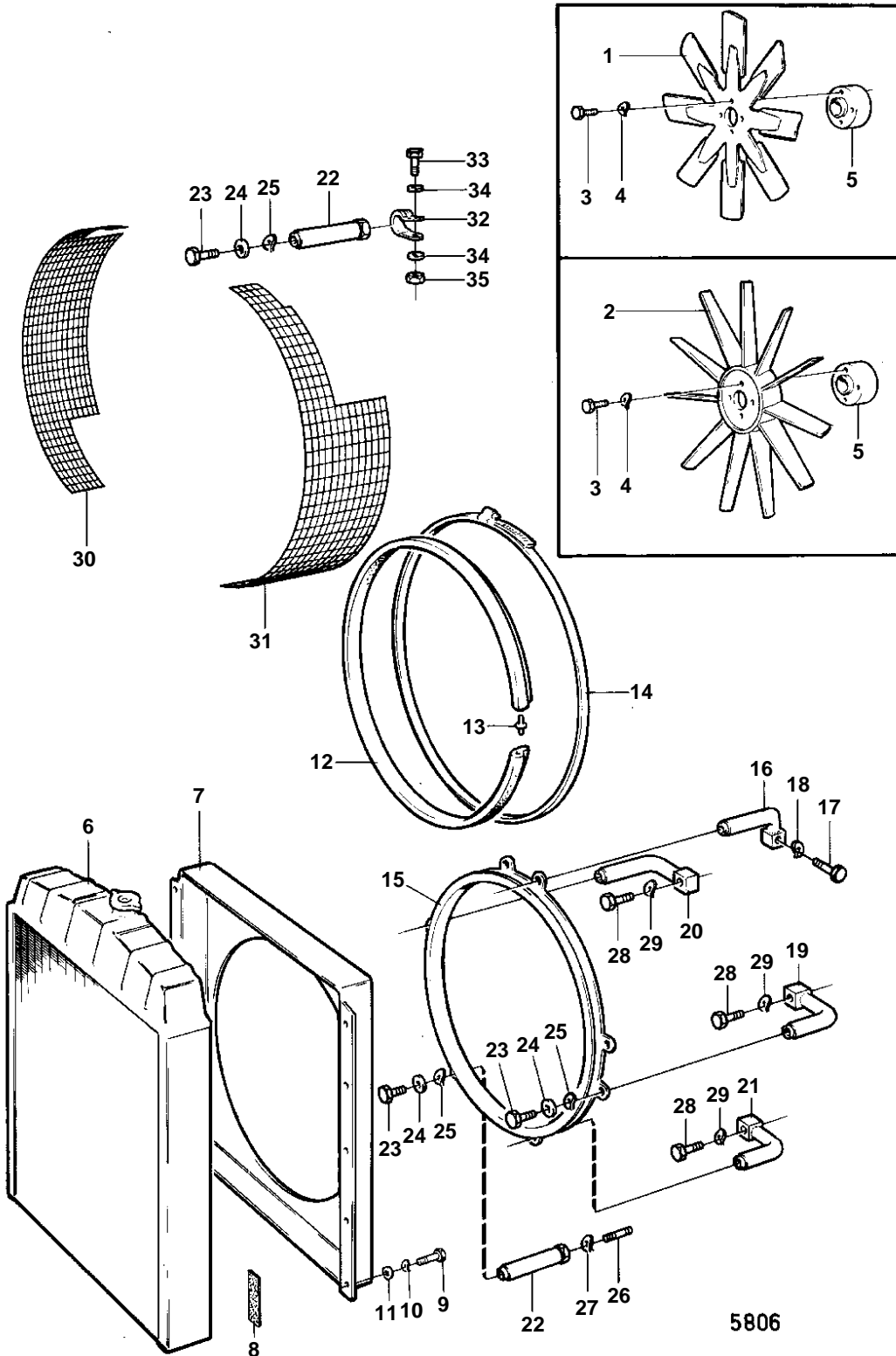


D70CRC,TD70CRC



D70CRC,TD70CRC

REF	PART NO.	QTY	DESCRIPTION	SEE SEC.	NOTES
1	843517	1	Fan		
2	843563	1	Fan		
3	940186	4	Screw		
4	941907	4	Spring washer		
5	843839	1	Spacer ring		
6		1	RADIATOR	02B-0750	
7	843641	1	Fan shroud		
8	821707	2	Sealing strip		
9	955524	10	Screw		
10	941907	10	Spring washer		
11	899990	10	Washer		
12	837300	1	Sealing strip		
13	475450	1	Connector		
14	947467	1	Clamp		
15	843694	1	Fan ring		
16	842735	1	Anchorage		
17	955538	1	Screw		
18	942336	1	Spring washer		
19	843404	1	Anchorage		
20	845531	1	Anchorage		(843405)
21	846464	1	Anchorage		
22	843406	1	Anchorage		
23	940113	5	Screw		
24	960141	5	Washer		
25	941907	5	Spring washer		
26	953241	1	Stud		
27	941907	1	Spring washer		
28	955530	1	Screw		L = 83 MM
	955528	2	Screw		L = 70 MM
29	941907	3	Spring washer		
30	847500	1	Safety net		
31	847499	1	Safety net		
32	945081	12	Clamp		
33	956094	12	Screw		
34	192404	24	Washer		
35	955781	12	Nut		