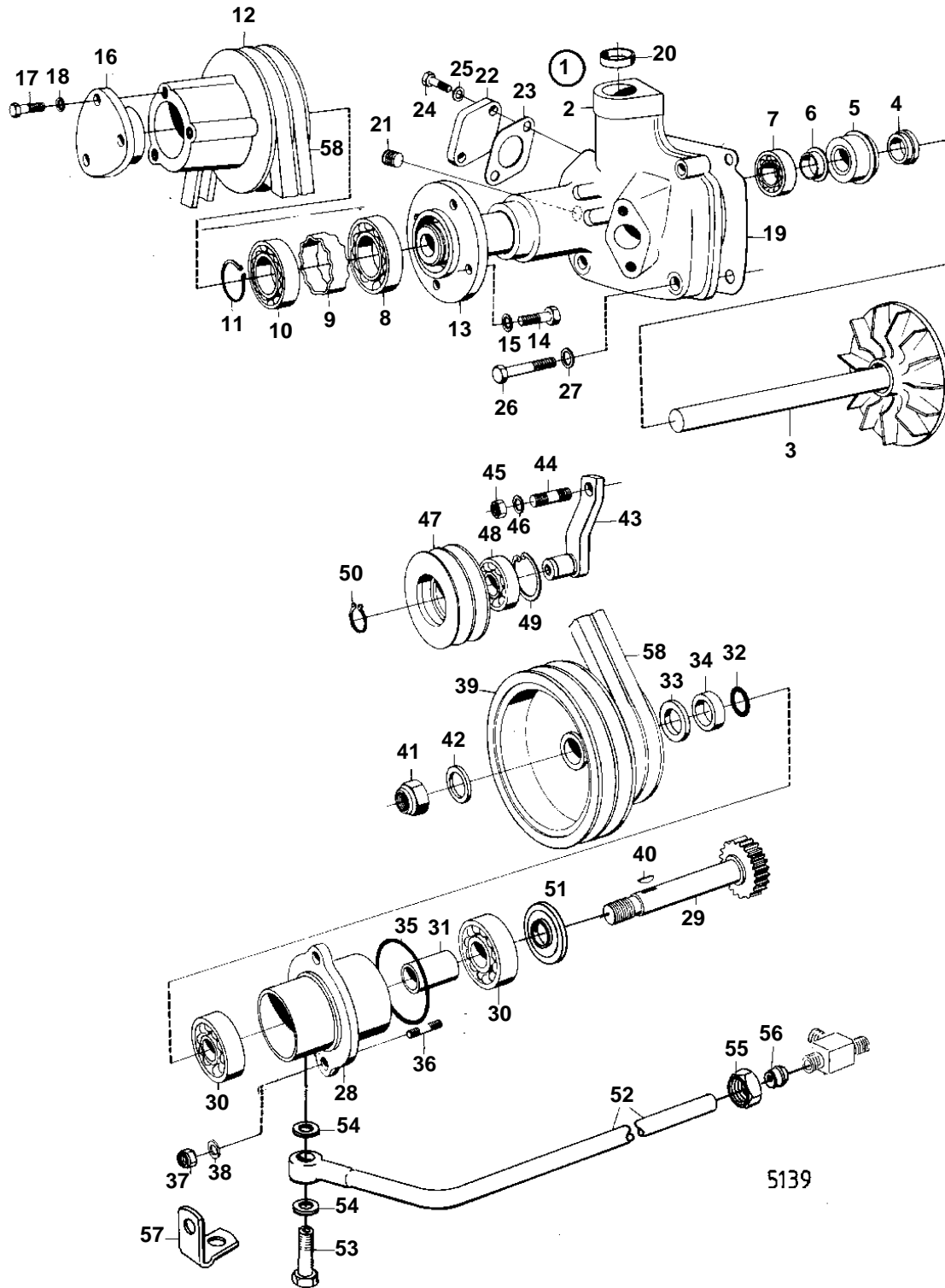


D70CHC,TD70CHC



CIRCULATION PUMP AND DRIVE DEVICE WITH INSTALLATION COMPONENTS

02B

D70CHC,TD70CHC

REF	PART NO.	QTY	DESCRIPTION	SEE SEC.	NOTES
1	843417	1	Water pump		
	3803211	1	Circ. pump, exch		Exchange unit
2		1	· HOUSING		
3	421148	1	· Shaft	IK	
4	421306	1	· Wear ring	IK	
5	1545283	1	· Sealing ring	IK	
6	70913	1	· Deflector	IK	
7	1660609	1	· Ball bearing	IK	(181670)
8	181538	1	· Ball bearing	IK	
9	823145	1	· Spacer sleeve		
10	19258	1	· Ball bearing	IK	
11	914462	1	· Lock ring	IK	
12	843515	1	· Pulley		
13	823130	1	· Companion flange		
14	955524	3	· Screw		
15	941907	3	· Spring washer		
16	823131	1	· Companion flange		
17	940135	3	· Screw		
18	941907	3	· Spring washer		
19	421215	1	Gasket	IK	
20	420162	1	Seal, SEAL	IK	02B-0200 02B-0250
21	968145	1	Plug		(952076). WHEN COOLANT SUPERVISION IS NOT INSTALLED
	190130	1	Nipple		SEE GROUP 3. WHEN COOLANT SUPERVISION IS INSTALLED
22	824339	1	Cover		
	846437	1	Flange		WHEN COOLANT SUPERVISION IS INSTALLED
23	420171	1	Gasket	IK	
24	940135	2	Screw		
25	941907	2	Spring washer		
26	940161	6	Screw		
27	941907	6	Spring washer		
28	843661	1	Bearing housing		
29	837704	1	Gear		
30	183731	2	Ball bearing		
31	896605	1	Spacer sleeve		
32	925059	1	O-ring	IK	
33	896672	1	Spacer sleeve	IK	
34	941899	1	Oil sealing ring	IK	
35	949660	1	O-ring		
36	953259	2	Stud		
37	955827	2	Nut		
38	942336	2	Spring washer		
39	843740	1	Pulley		
40	909867	1	Key		
41	949399	1	Nut		(950358)
42	955900	1	Washer		
43	465473	1	Lever		
44	953351	1	Stud		
45	955828	1	Nut		
46	941911	1	Spring washer		
47	822551	1	Pulley		
48	1544092	1	Ball bearing		
49	914533	1	Snap ring		
50	914462	1	Lock ring		
51	837705	1	Oil deflector		
52	843662	1	Tube		
53	48634	1	Hollow screw		
54	957173	2	Gasket		
55	954356	1	Cap nut		
56	954364	1	Fitting		
57	18301	1	Clamp		
58	966953	1	V-belt set		(958346)
	875474	1	Repair kit		