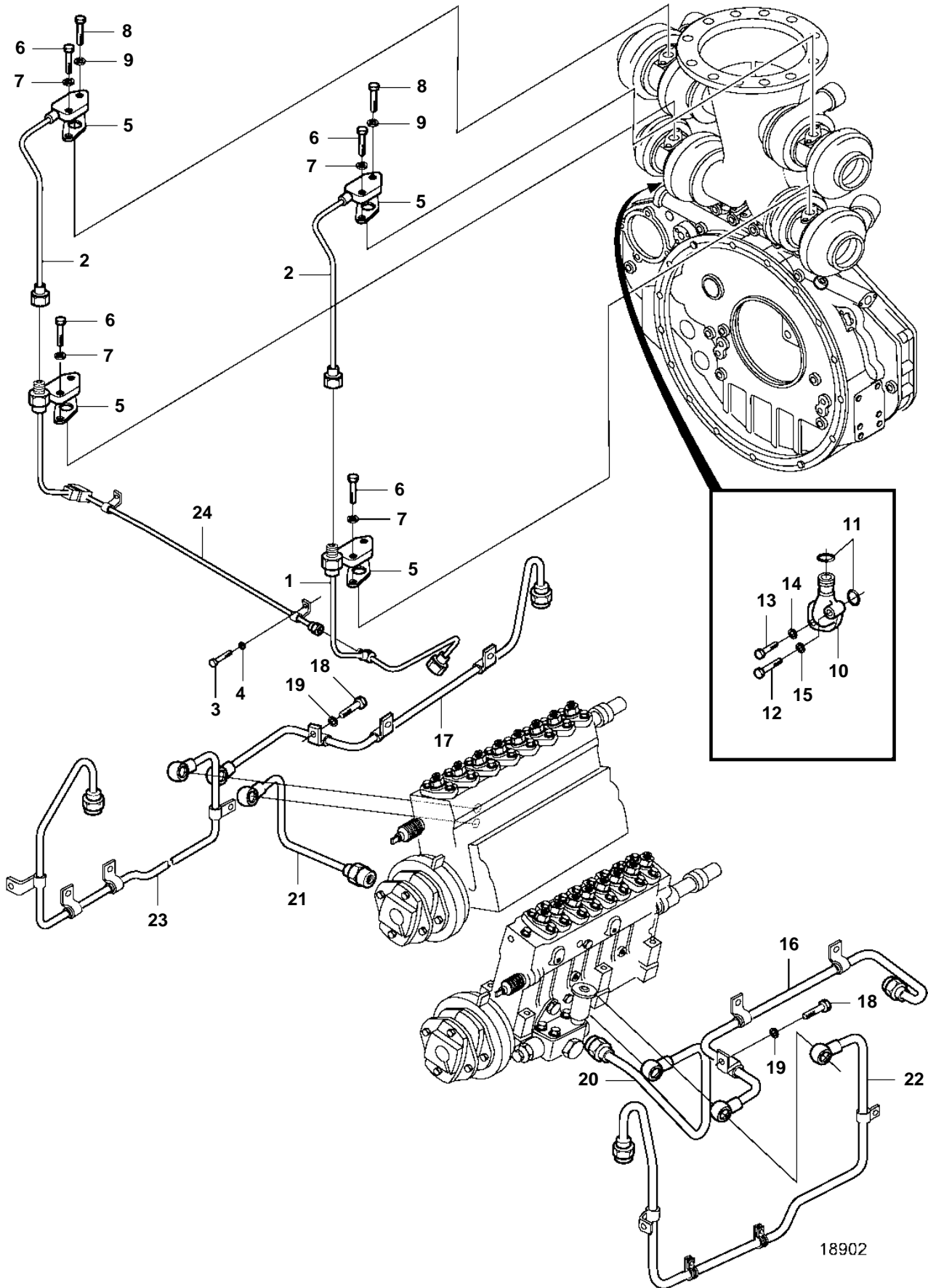


D65A-MT, D65A-MS



D65A-MT, D65A-MS

REF	PART NO.	QTY	DESCRIPTION	NOTES
1	3834158	1	Oil pipe	S.B
2	3834136	2	Oil pipe	
3	3832041	2	Screw	
4	3832233	2	Spring washer	
5	3835122	4	Gasket	
6	3831576	6	Screw	
7	3832233	6	Spring washer	
8	3831583	2	Screw	
9	3832233	2	Spring washer	
10	3835565	4	Connector	
11	3831566	8	O-ring	
12	3832051	4	Screw	
13	3832044	4	Screw	
14	3832233	4	Spring washer	
15	3832233	4	Spring washer	
16	3836728	1	Oil pipe, oil cooler	S.B
17	3836731	1	Oil pipe, oil filter	P
18	3835722	2	Screw	
19	3832225	2	Spring washer	
20	3836729	1	Drain pipe, cylinder block	S.B
21	3836730	1	Drain pipe, cylinder block	P
22	3836732	1	Oil pipe	S.B
23	3836733	1	Oil pipe	P
24	3834151	1	Oil pipe	