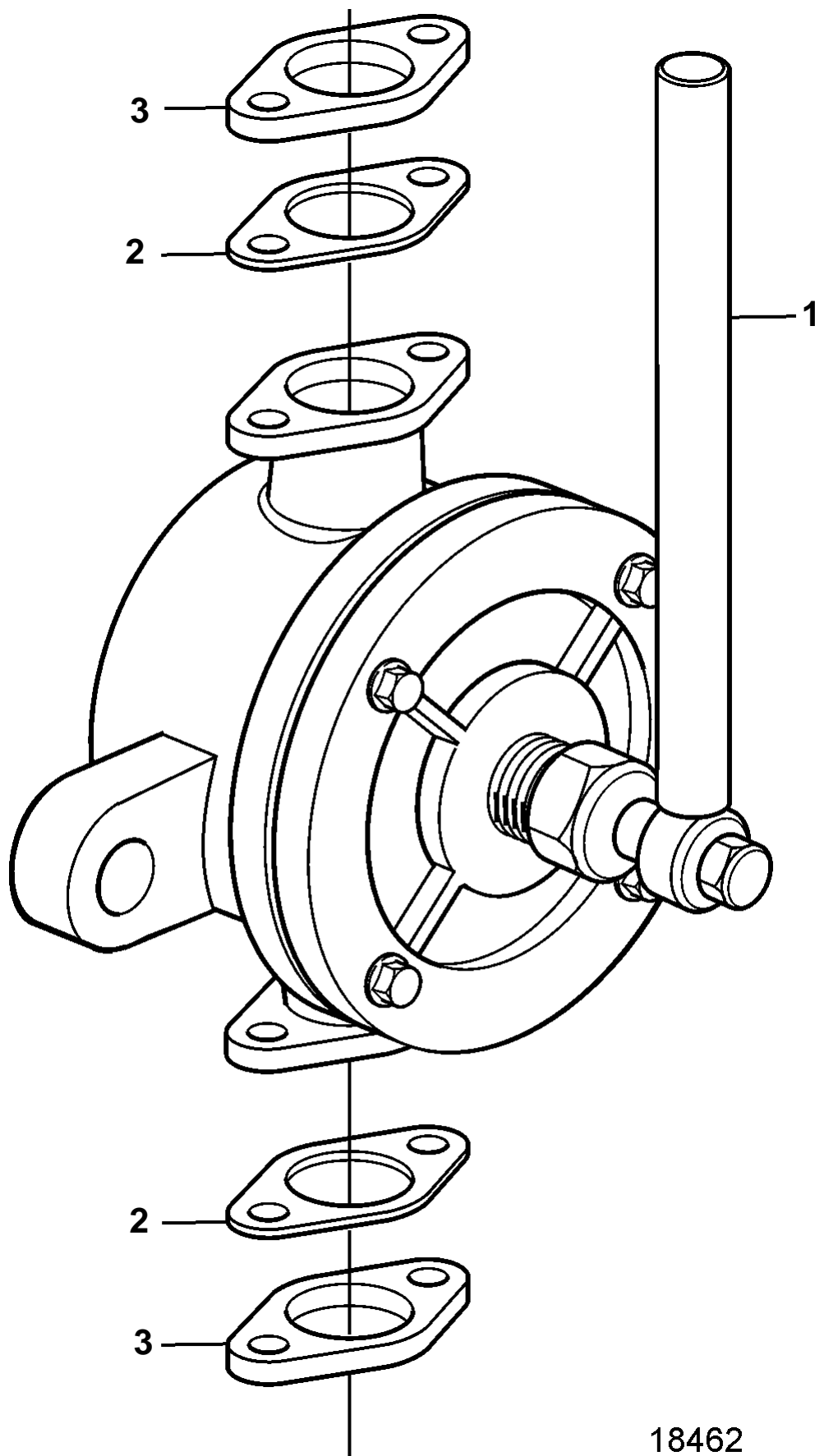


D65A-MT, D65A-MS



18462

D65A-MT, D65A-MS

REF	PART NO.	QTY	DESCRIPTION
1	3835190	1	Bilge pump
2	3835131	2	Gasket
3	3835054	2	Flange