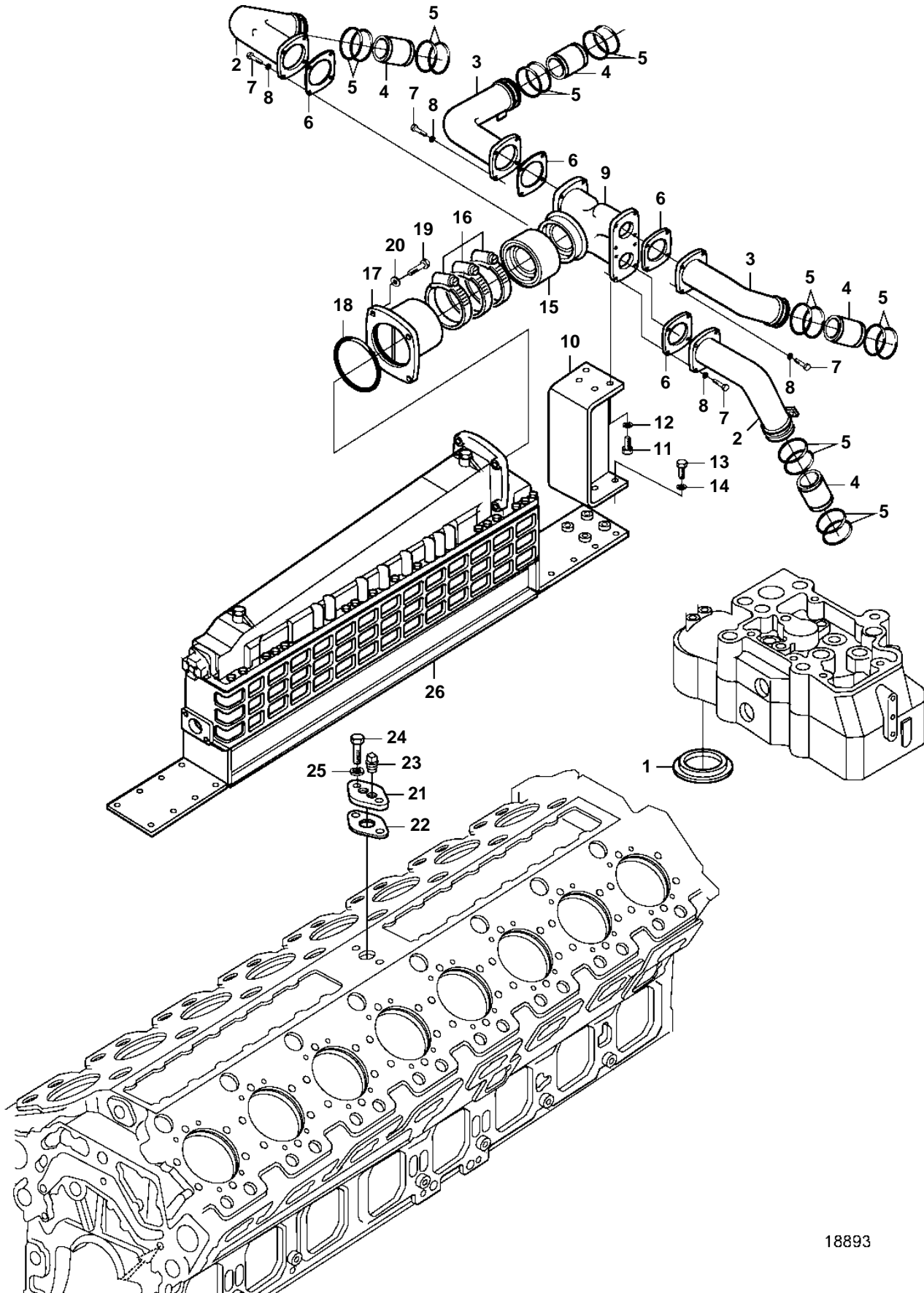


D65A-MT



18893

D65A-MT

REF	PART NO.	QTY	DESCRIPTION	SEE SEC.
1	3831814	16	Gasket	
2	3836725	2	Inlet pipe	
3	3836726	2	Inlet pipe	
4	3833258	4	Connector, turbo	
5	3831677	16	O-ring	
6	3835482	4	Gasket	
7	3836448	16	Screw	
8	3832233	16	Spring washer	
9	3833438	1	Inlet pipe	
10	3834685	1	Stay	
11	3832042	4	Screw	
12	3832233	4	Spring washer	
13	3835725	4	Screw	
14	3832245	4	Spring washer	
15	3833631	1	Rubber hose	
16	3836721	3	Clamp	
17	3833437	1	Inlet pipe	
18	3831938	1	O-ring	
19	3832058	4	Screw	
20	3832245	4	Spring washer	
21	3833336	1	Cover	
22	3835059	1	Gasket	
23	3836541	1	Plug	
24	3832056	2	Screw	
25	3832245	2	Spring washer	
26		1	Intercooler	
				5447