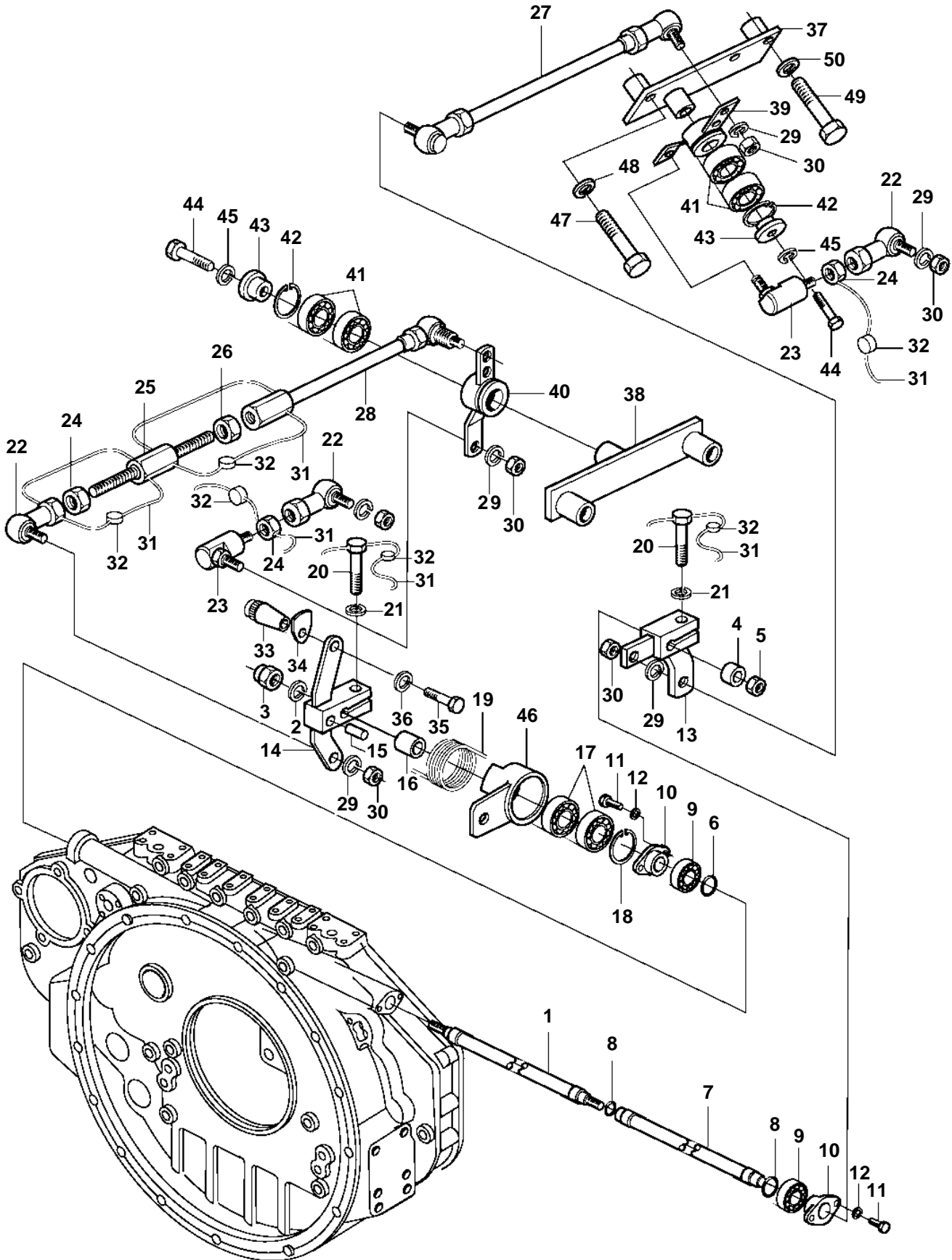


D65A-MT, D65A-MS



18729

D65A-MT, D65A-MS

REF	PART NO.	QTY	DESCRIPTION
1	3834499	1	Control shaft
2	3832233	1	Spring washer
3	3831785	1	Lock nut
4	3834633	1	Spacer
5	3833823	1	Lock nut
6	3832017	1	Snap ring
7	3833989	1	Tube
8	3835408	2	O-ring
9	3831642	2	Bearing
10	3833358	2	Bearing cover
11	3835721	4	Screw
12	3832225	4	Spring washer
13	3833719	1	Lever, right
14	3833715	1	Lever, left
15	3836548	1	Pin
16	3834637	1	Spacer
17	3831641	2	Bearing
18	3832039	1	Snap ring
19	3834647	1	Spring
20	3832321	2	Screw
21	3832225	2	Spring washer
22	3835077	3	Ball joint
23	3835080	2	Ball joint
24	3831656	5	Nut
25	3834380	1	Rod
26	3831951	1	Lock nut
27	3835770	1	Link, right
28	3835771	1	Link, left
29	3832225	8	Spring washer
30	3832192	6	Lock nut
31	3837686	6	Wire
32	3832024	6	Lead sealing tab
33	3832031	1	Handle
34		1	Sign
35	3835722	1	Screw
36	3832225	1	Spring washer
37	3836549	1	Bracket, right
38	3836550	1	Bracket, left
39	3835772	1	Lever
40	3835773	1	Lever, left
41	3832347	4	Bearing
42	3832296	2	Snap ring
43	3831672	2	End plate
44	3835723	2	Screw
45	3832233	2	Spring washer
46	3835774	1	Lever, left
47	3836665	2	Screw
48	3832277	2	Spring washer
49	3832081	2	Screw
50	3832245	2	Spring washer