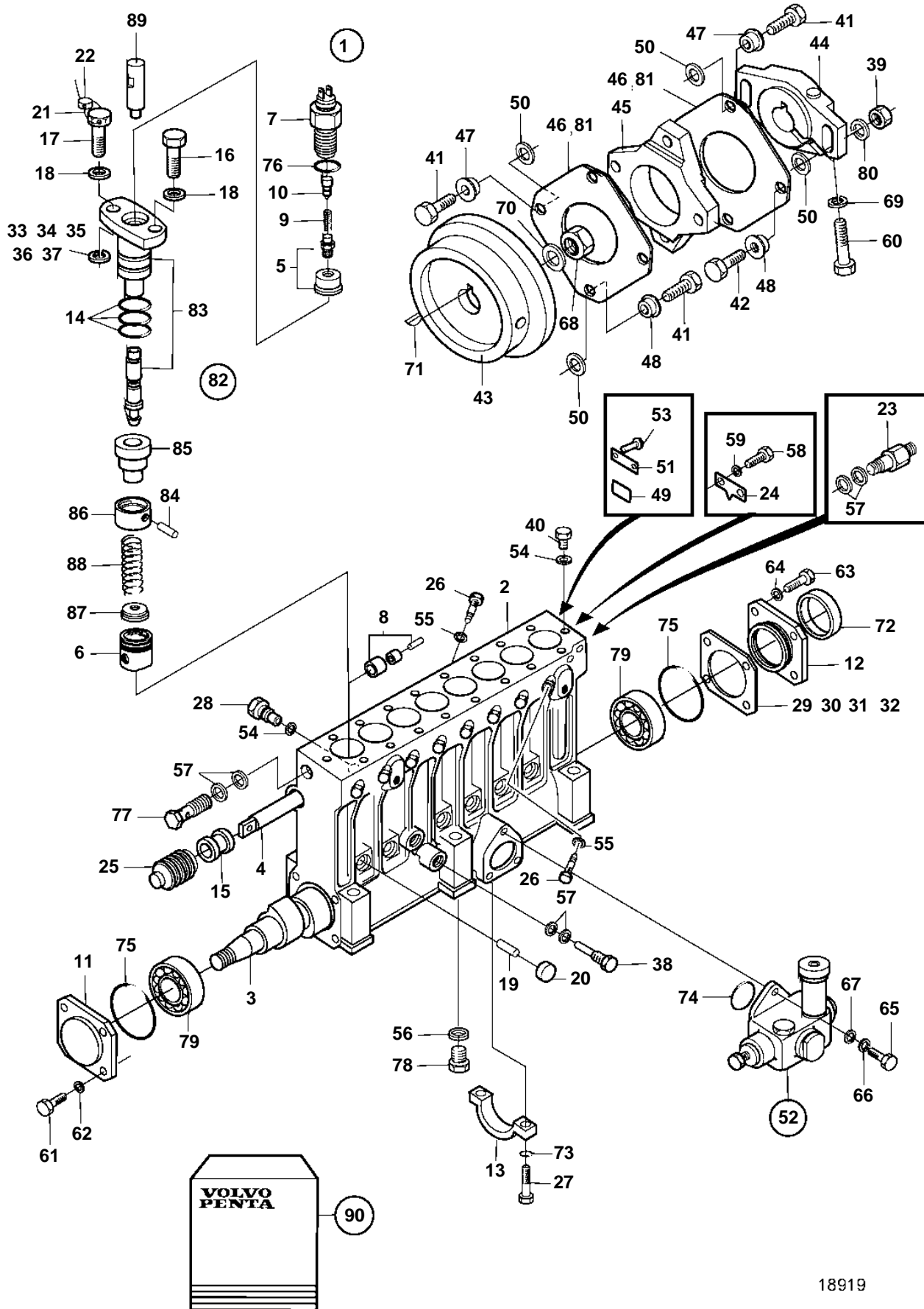


D65A-MT, D65A-MS



D65A-MT, D65A-MS

REF	PART NO.	QTY	DESCRIPTION	SEE SEC.	NOTES
1	3834312	1	Injection pump		S.B
	3834311	1	Injection pump		P
2		1	· Housing		S.B
	3833154	1	· Housing		P
3	3839514	1	· Camshaft		
4	3834331	1	· Rack		
5	3838331	8	· Delivery valve		
6	3834762	8	· Tappet		
7	3833627	8	· Valve retainer		
8	3834765	8	· Tappet		
9	3835215	8	· Valve spring		
10	3838330	8	· Adjusting sleeve		
11	3835024	1	· Cover		
12	3835029	1	· Cover		
13	3832168	1	· Bearing		
14	3833847	24	· O-ring		Included in repair kit No 3834338
15	3833095	2	· Bushing		
16	3832267	8	· Screw		
17	3832268	8	· Screw		
18	3834867	16	· Washer		
19	3833960	9	· Pin		
20	3833114	9	· Cap		
21		1	· Wire		Included in repair kit No 3834338
22	3832024	1	· Lead sealing tab		Included in repair kit No 3834338
23	3837381	1	· Valve		
24	3834292	1	· Setting indicator		
25	3832178	1	· Bellows		Included in repair kit No 3834338
26	3832272	16	· Screw		
27	3832257	2	· Screw		
28	3834433	1	· Set screw		
29	3834596	4	· Shim		TH=0,50mm. Included in repair kit No 3834338
30	3834597	1	· Shim		TH = 0,10mm. Included in repair kit No 3834338
31	3834598	1	· Shim		TH = 0.15mm. Included in repair kit No 3834338
32	3834599	2	· Shim		TH = 0,30mm. Included in repair kit No 3834338
33	3834591	1	· Shim		TH = 0,80mm. Included in repair kit No 3834338
34	3834592	16	· Shim		TH = 0,90mm. Included in repair kit No 3834338
35	3834593	1	· Shim		TH = 1,00mm. Included in repair kit No 3834338
36	3834594	1	· Shim		TH = 1,10mm. Included in repair kit No 3834338
37	3834595	1	· Shim		TH = 1,30mm. Included in repair kit No 3834338
38	3832303	1	· Hollow screw		
39	3833818	2	· Flange nut		
40	3832308	2	· Hollow screw		
41	3832339	6	· Screw		
42	3832323	2	· Screw		
43	3837382	1	· Flywheel		
44	3837813	1	· Clutch		
45	3837383	1	· Clutch		
46	3834237	12	· Plate		
47	3833093	4	· Bushing		
48	3833097	4	· Bushing		
49	3834241	1	· Plate		
50	3834873	8	· Washer		
51		1	· Plate		
52	3834322	1	· Fuel pump		
				4986	
53	3832131	2	· Rivet		
54	3831586	3	· Sealing washer		Included in repair kit No 3834338
55	3831587	16	· Sealing washer		Included in repair kit No 3834338
56	3831588	1	· Sealing washer		Included in repair kit No 3834338
57	3831591	6	· Sealing washer		Included in repair kit No 3834338
58	3831526	2	· Screw		
59	3832223	2	· Spring washer		
60	3831555	1	· Screw		

D65A-MT, D65A-MS

REF	PART NO.	QTY	DESCRIPTION	SEE SEC.	NOTES
61	3832040	4	· Screw		
62	3832225	4	· Spring washer		
63	3832038	4	· Screw		
64	3832225	4	· Spring washer		
65	3831534	3	· Screw		
66	3832223	3	· Spring washer		
67	3831790	3	· Washer		
68	3831777	1	· Lock nut		
69	3837814	1	· Washer		
70	3834855	1	· Washer		
71	3832285	1	· Woodruff key		
72	3834457	1	· Ring		Included in repair kit No 3834338
73	3831873	2	· O-ring		Included in repair kit No 3834338
74	3831992	1	· O-ring		Included in repair kit No 3834338
75	3832003	2	· O-ring		Included in repair kit No 3834338
76	3831566	8	· O-ring		Included in repair kit No 3834338
77	3832027	1	· Hollow screw		
78	3832328	1	· Plug		
79	3831623	2	· Bearing		
80	3838901	2	· Washer		
81	3834236	4	· Plate		
82	3834941	8	· Pump element		
83		8	· · Pin		
84		8	· · Pin		
85	3833985	8	· · Pinion		
86	3834490	8	· · Seat		
87	3834479	8	· · Seat		
88	3834661	8	· · Spring		
89	3833625	8	· · Retainer		
90	3836466	1	· Repair kit		