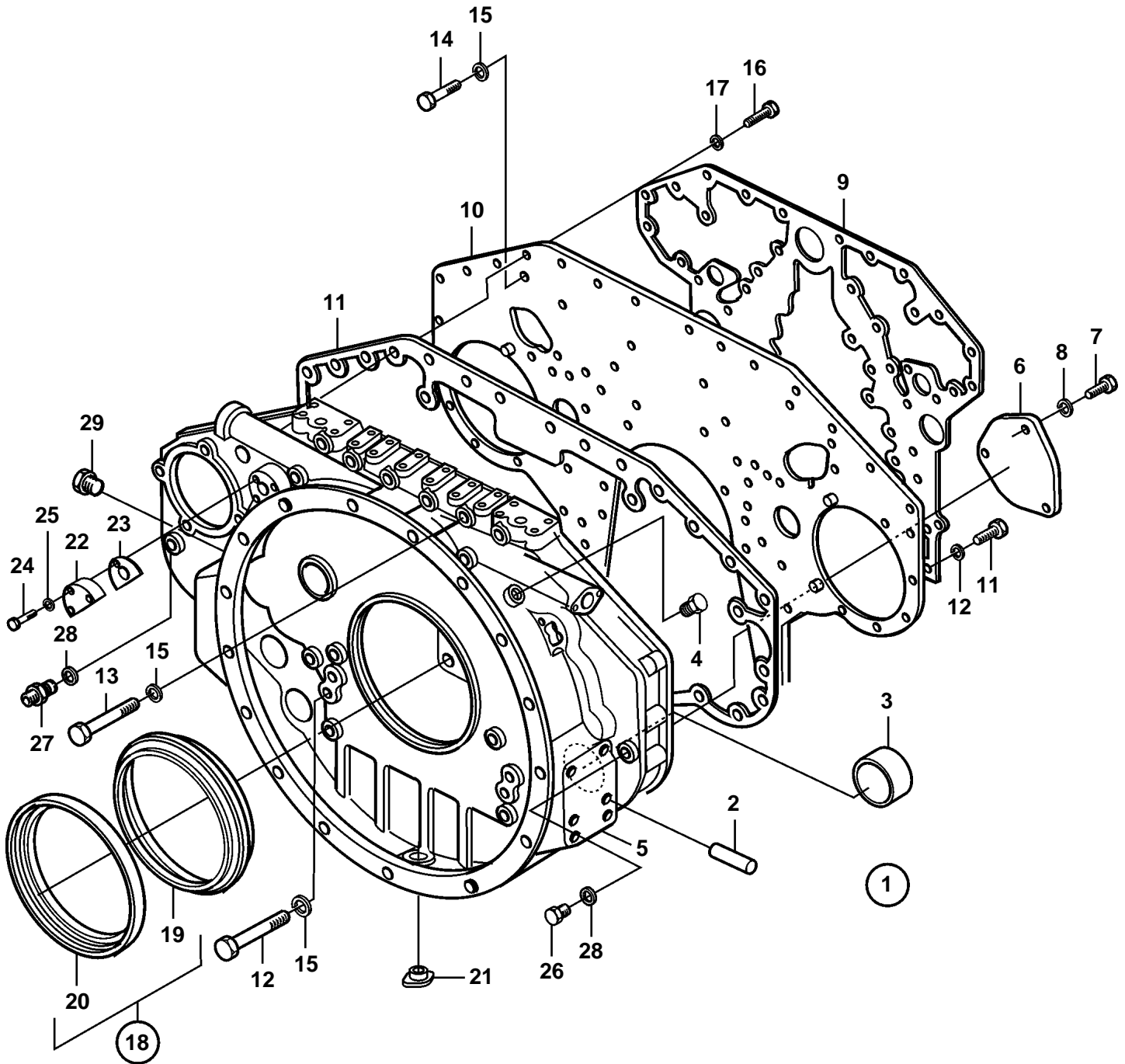


D65A-MT, D65A-MS



18884

D65A-MT, D65A-MS

REF	PART NO.	QTY	DESCRIPTION
1	3835438	1	Flywheel housing
2	3831835	4	· Pin
3	3831581	1	· Bushing
4	3831702	1	· Plug
5		1	· Flywheel housing
6	3833345	1	Cover
7	3835725	3	Screw
8	3832245	3	Spring washer
9	3833947	1	Gasket
10	3835439	1	Plate
11	3833948	1	Gasket
12	3832217	10	Screw
13	3832216	6	Screw
14	3832098	2	Screw
15	3831625	18	Washer
16	3832056	29	Screw
17	3832245	34	Spring washer
18	3834437	1	Seal
19	3834615	1	· Oil deflector ring
20	3834456	1	· Sealing ring
21	3831624	1	Plug
22	3833337	2	Cover
23	3835440	2	Gasket
24	3835725	6	Screw
25	3832245	6	Spring washer
26	3832330	1	Plug
27	3833279	1	Connector
28	3831596	2	Sealing washer
29	3831702	1	Plug