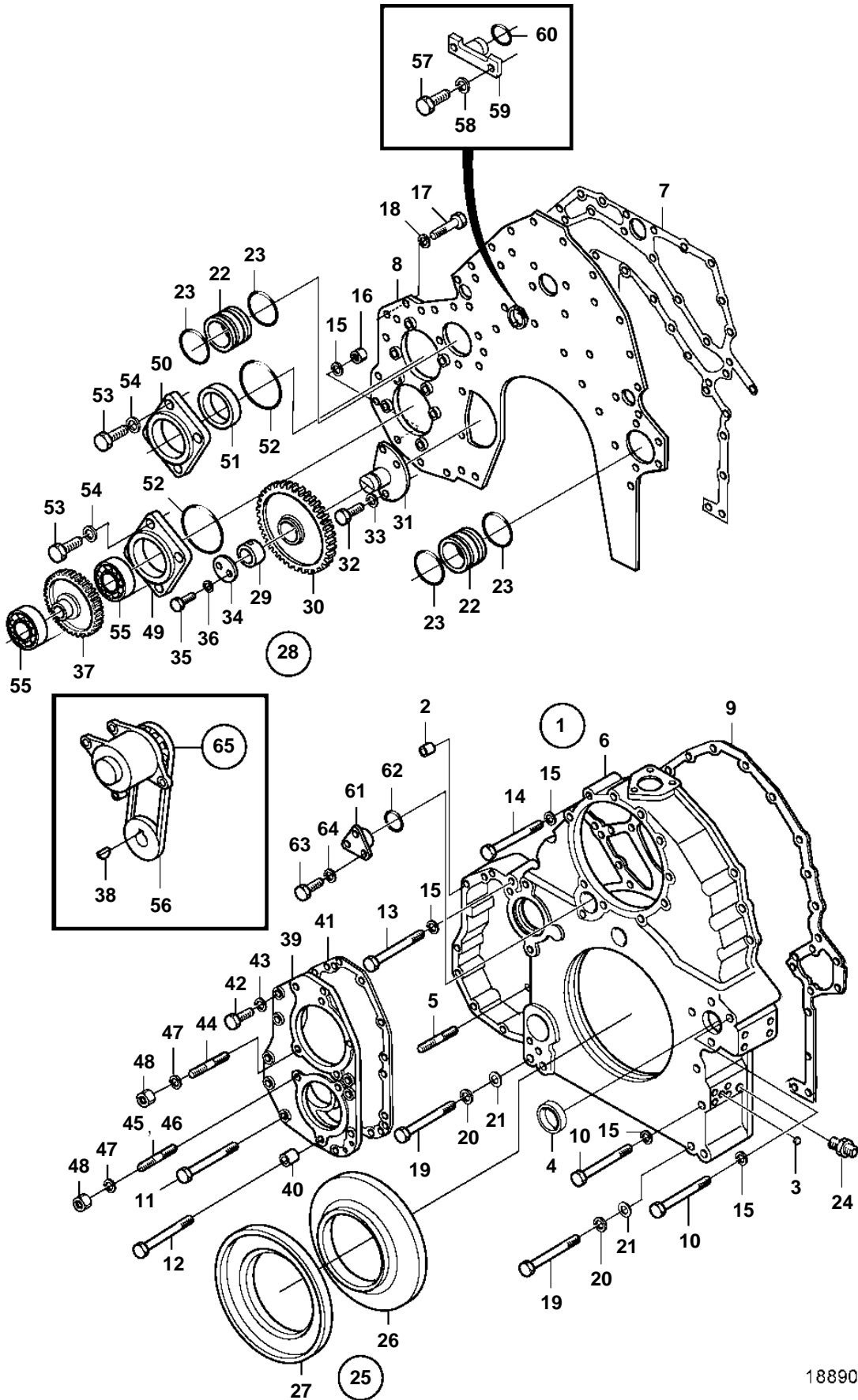


D65A-MT



18890

D65A-MT

REF	PART NO.	QTY	DESCRIPTION	SEE SEC.
1	3837137	1	Timing gear casing	
2	3831816	2	· Pin	
3		1	· Cap	
4	3833117	2	· Cap	
5	3834740	2	· Stud	
6		1	· Timing gear casing	
7	3833941	1	Gasket	
8	3835476	1	Front plate	
9	3833942	1	Gasket	
10	3832207	10	Screw	
11	3831553	6	Screw	
12	3832215	1	Screw	
13	3832091	3	Screw	
14	3832090	1	Screw	
15	3832245	21	Spring washer	
16	3832204	4	Nut	
17	3832056	27	Screw	
18	3832245	27	Spring washer	
19	3832219	4	Screw	
20	3832282	4	Spring washer	
21	3831794	4	Washer	
22	3833676	2	Clutch	
23	3831977	4	O-ring	
24	3832320	1	Connector	
25	3834436	1	Ring	
26	3834616	1	Oil deflector ring	
27	3831761	1	Sealing ring	
28	3833583	1	Idler gear	
29	3831693	1	· Bushing	
30		1	· Idler gear	
31	3835477	1	Shaft	
32	3832063	4	Screw	
33	3832245	4	Spring washer	
34	3831631	1	Plate	
35	3832042	2	Screw	
36	3832233	2	Spring washer	
37	3833601	1	Gear	
38	3832286	1	Woodruff key	
39	3834211	1	Plate	
40	3833972	1	Guide sleeve	
41	3833918	1	Gasket	
42	3832063	4	Screw	
43	3832245	4	Spring washer	
44	3834740	2	Stud	
45	3834743	2	Stud	
46	3834741	2	Stud	
47	3832245	6	Spring washer	
48	3832199	6	Lock nut	
49	3833359	1	Bearing cover	
50	3833360	1	Bearing cover	
51	3834462	1	Seal	
52	3831937	2	O-ring	
53	3832056	8	Screw	
54	3832245	8	Spring washer	
55	3831658	2	Bearing	
56	3834297	1	Pulley	
57	3832065	2	Screw	
58	3832245	2	Spring washer	
59	3834279	1	Plug	
60	3831569	1	O-ring	
61	3833488	1	Flange	
62	3831574	1	O-ring	
63	3832058	3	Screw	

D65A-MT

REF	PART NO.	QTY	DESCRIPTION	SEE SEC.
64	3832245	3	Spring washer	
65	3832150	1	Alternator	
				5001