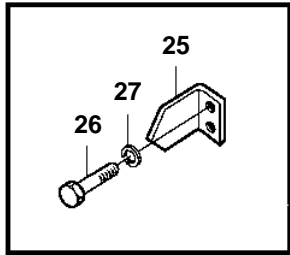
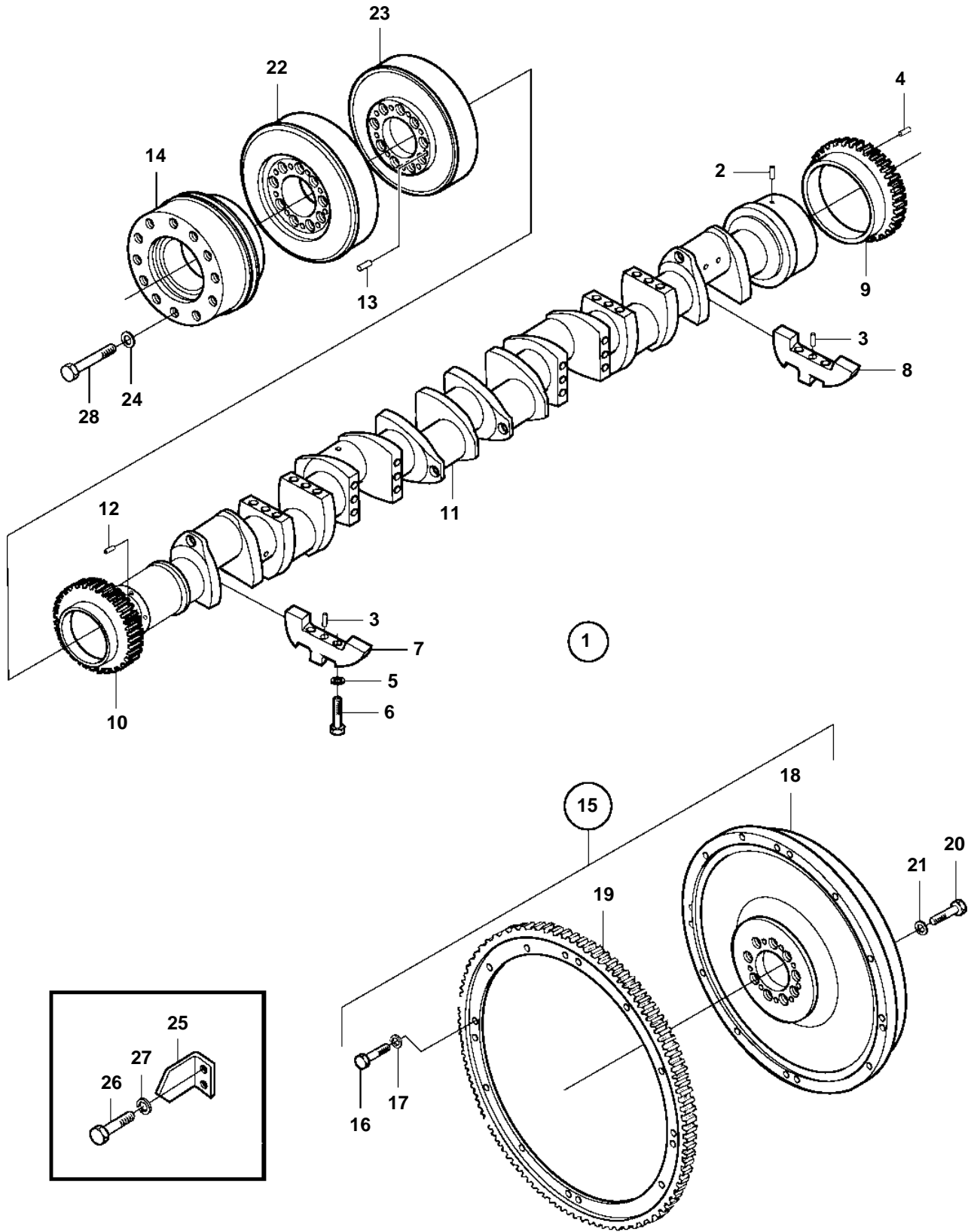


D65A-MT, D65A-MS



D65A-MT, D65A-MS

REF	PART NO.	QTY	DESCRIPTION	
1	3833417	1	Crankshaft	
2	3831811	1	· Pin	
3	3831839	16	· Pin	
4	3833967	2	· Pin	
5	3831670	32	· Washer	
6	3832252	32	· Screw	
7		15	· Weight	
8		1	· Weight	
9	3833587	1	· Crankshaft gear	SO
10	3833588	1	· Crankshaft gear	
11		1	· Crankshaft	
12	3831839	2	Pin	
13	3833974	2	Pin	
14	3836737	1	Pulley	
15	3833498	1	Flywheel	
16	3832049	12	· Screw	
17	3832233	12	· Spring washer	
18		1	· Flywheel	
19	3833602	1	· Drive gear	
20	3831571	12	Screw	
21	3831670	12	Washer	
22	3836724	1	Vibration damper, front	
23	3833421	1	Vibration damper, rear	
24	3831670	8	Washer	
25	3834291	1	Setting indicator	
26	3832042	2	Screw	
27	3832233	2	Spring washer	
28	3831573	8	Screw	