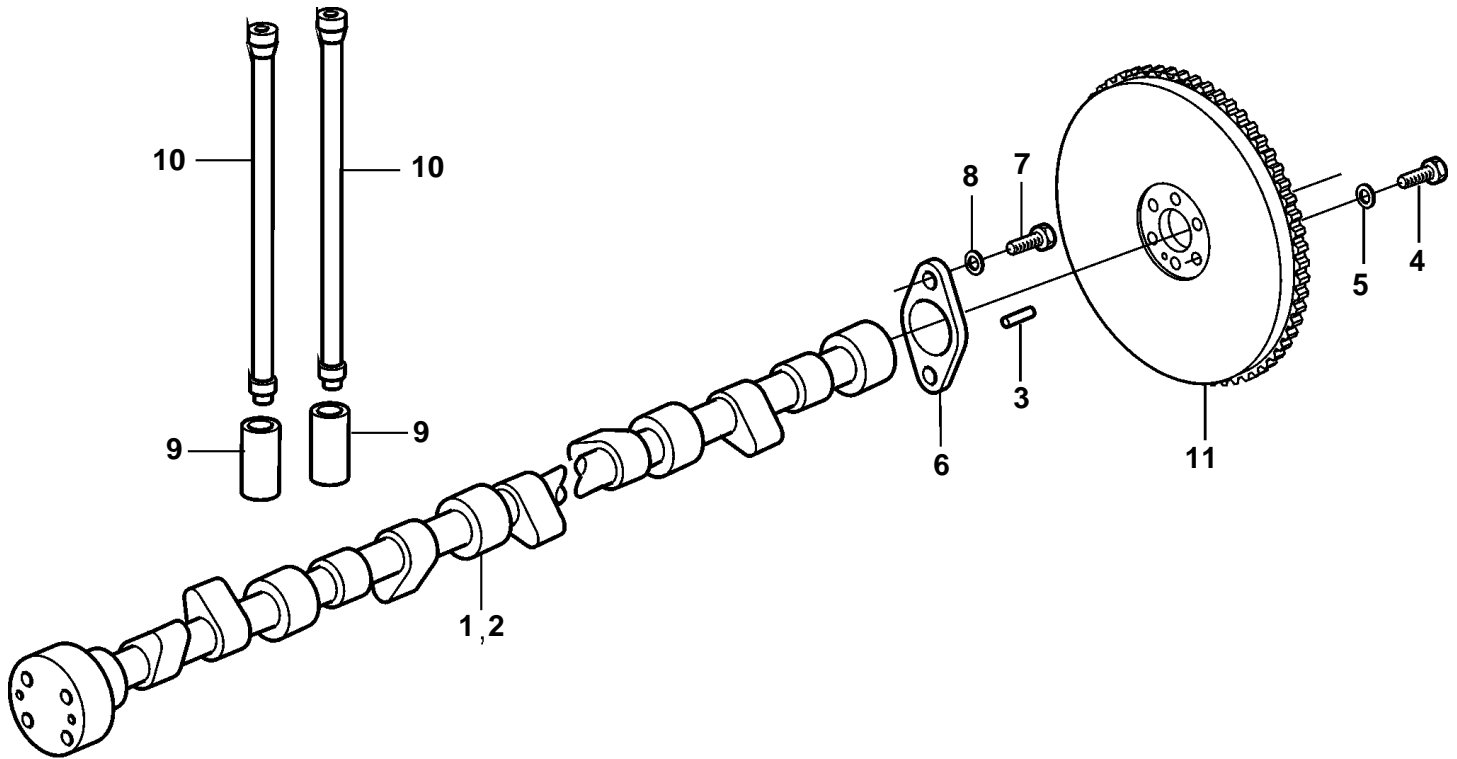


D65A-MT, D65A-MS



18471

D65A-MT, D65A-MS

| REF | PART NO. | QTY | DESCRIPTION | NOTES |
|-----|----------|-----|---------------|-------|
| 1 | 3833107 | 1 | Camshaft | S.B |
| 2 | 3833104 | 1 | Camshaft | P |
| 3 | 3831816 | 4 | Pin | |
| 4 | 3832083 | 8 | Screw | |
| 5 | 3831805 | 8 | Washer | |
| 6 | 3834207 | 2 | Plate | |
| 7 | 3832058 | 4 | Screw | |
| 8 | 3832245 | 4 | Spring washer | |
| 9 | 3831731 | 24 | Lifter | |
| 10 | 3831728 | 24 | Push rod | |
| 11 | | | Camshaft gear | |