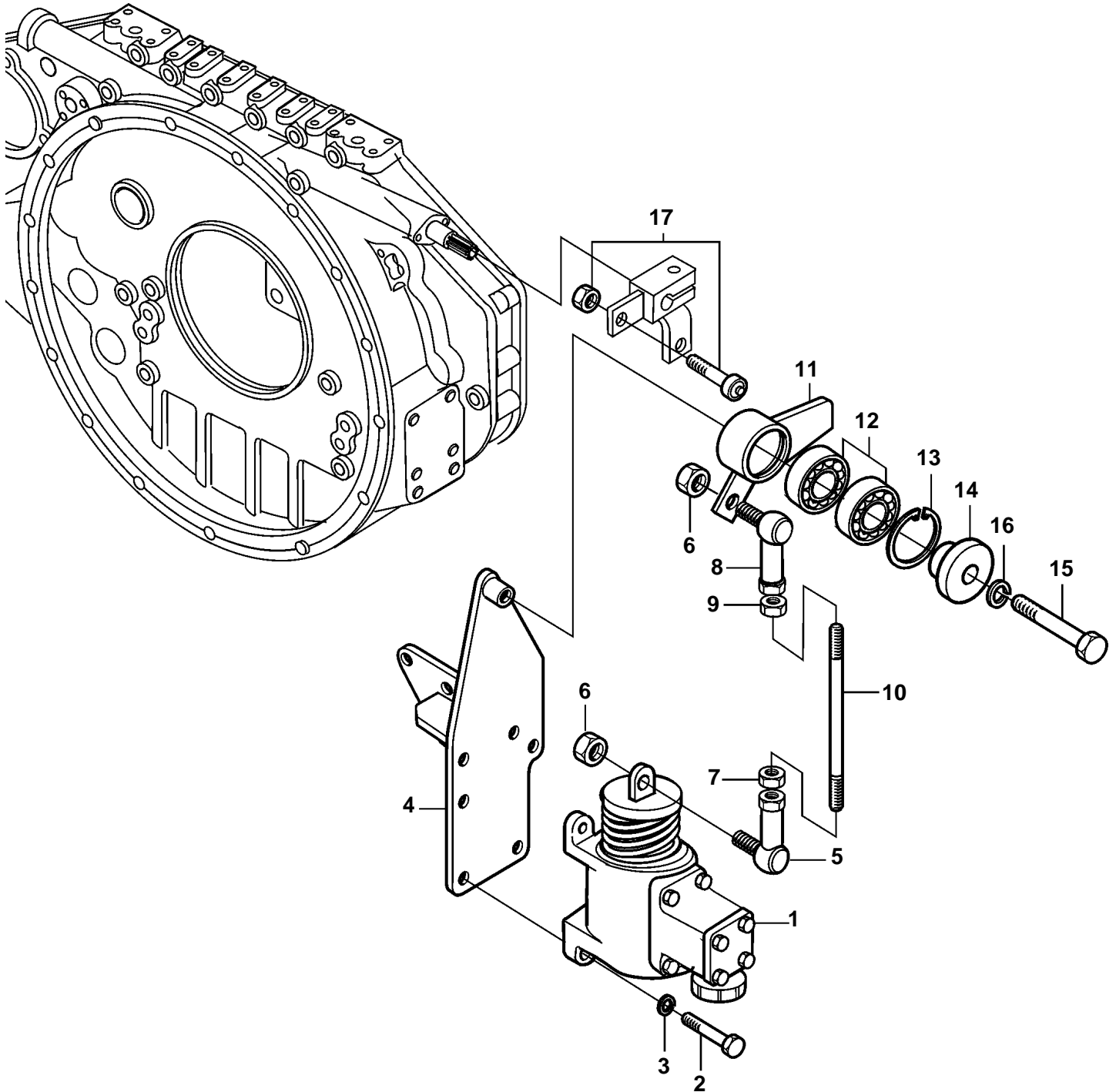


D65A-MT, D65A-MS



18589

D65A-MT, D65A-MS

REF	PART NO.	QTY	DESCRIPTION
1	3831527	1	Stop solenoid
2	3831534	4	Screw
3	3832223	4	Spring washer
4	3835786	1	Bracket
5	3835078	1	Ball joint
6	3831582	2	Lock nut
7	3832190	1	Lock nut
8	3835079	1	Ball joint
9	3831611	1	Lock nut
10	3834378	1	Rod
11	3833723	1	Lever
12	3832347	2	Bearing
13	3832296	1	Snap ring
14	3831672	1	End plate
15	3835723	1	Screw
16	3832233	1	Spring washer
17	3831965	1	Adjuster arm