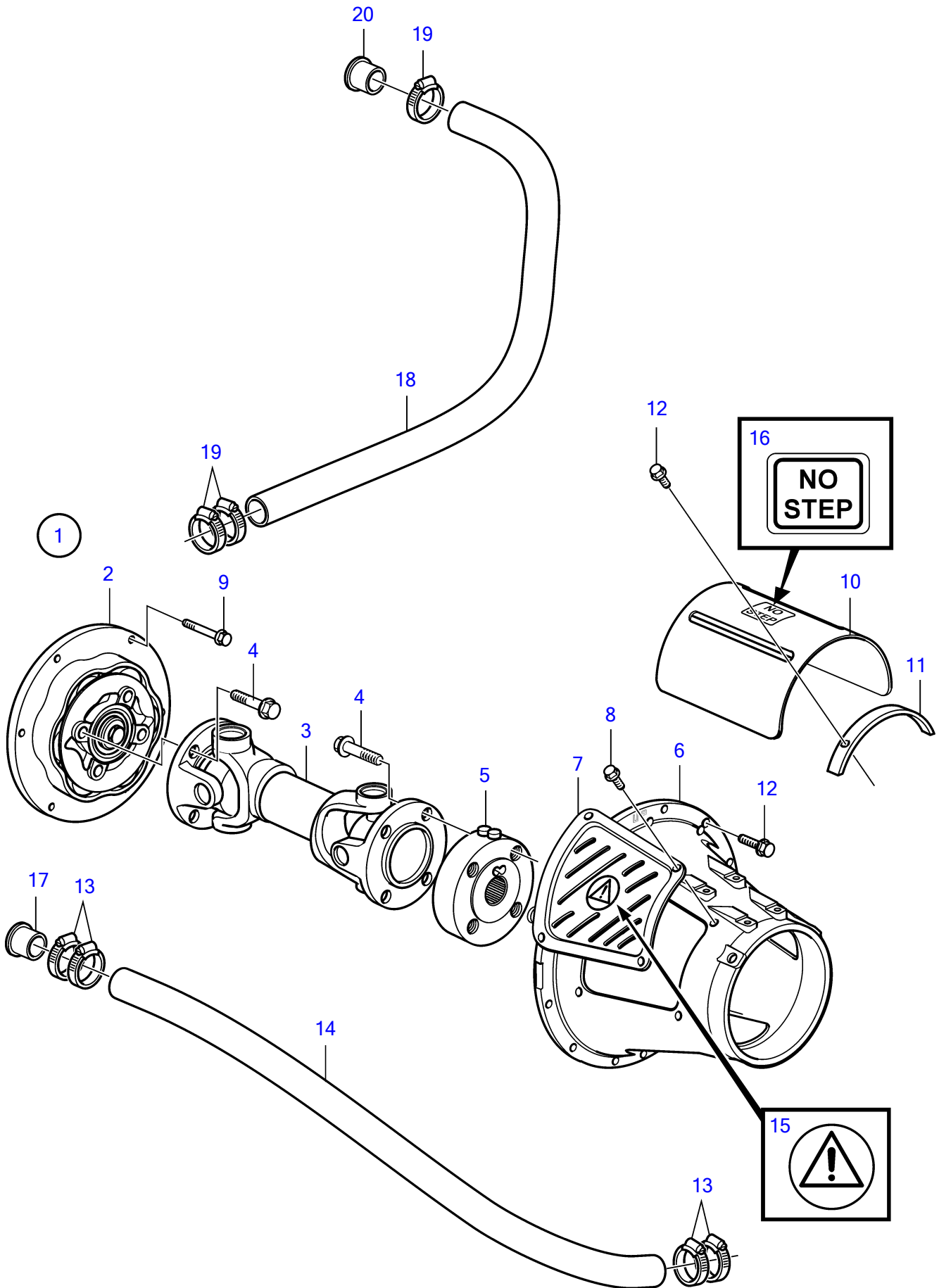


D6-330D-F, D6-370D-F, D6-435D-F



D6-330D-F, D6-370D-F, D6-435D-F

REF	PART NO.	QTY	DESCRIPTION	NOTES
1	21393521	1	Flexible coupling	
2	21509615	1	• Roller kit	Kit includes 6 pcs rubber rollers
3	3861048	1	Propeller shaft	L=335mm
4	465826	8	Flange screw	
5	3862153	1	Flange	
6	21657788	1	Protecting casing	
7	3862871	2	Protecting screen	
8	968476	8	Flange screw	L=13mm
9	965186	8	Flange screw	L=50mm
10	3862515	1	Protecting plate	
11	3862869	1	Tensioning ring	
12	946752	12	Flange screw	L=35mm
13	961672	4	Hose clamp	Std/Riser
14	1140670	X	Exhaust hose	
15	3817024	2	Decal	
16	841144	1	Decal	
17	3883983	1	Sleeve	Ratio 2.08:1
18	1140670	1	Exhaust hose	Ratio 1.94:1, Ratio 1.82:1, Std/Riser, L=780mm
19	961672	3	Hose clamp	Ratio 1.94:1, Ratio 1.82:1
20	3819914	1	Sleeve	Ratio 1.94:1, Ratio 1.82:1

47704600-44-37274

25827

Upd:2014-07-17