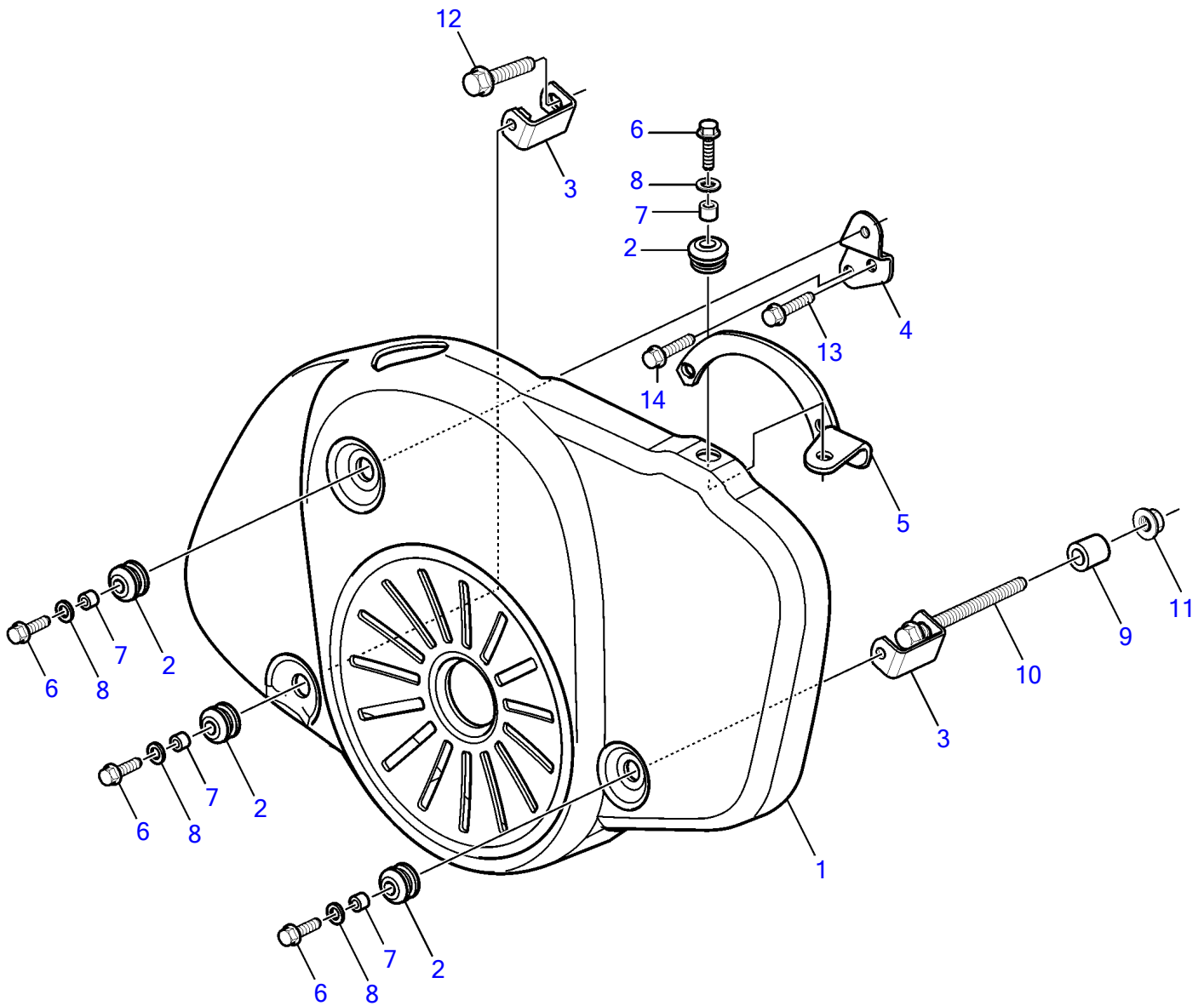


D6-300A-F, D6-300D-F (MC), D6-300I-F, D6-330A-F, D6-330D-F, D6-330I-F, D6-370I-F



25511

D6-300A-F, D6-300D-F (MC), D6-300I-F, D6-330A-F, D6-330D-F, D6-330I-F, D6-370I-F

REF	PART NO.	QTY	DESCRIPTION	NOTES
1	3808882	1	Belt protector	Replaced by 21119492
	21119492	1	Belt protector	Replaced by 21262732
	21262732	1	Belt protector	
2	673989	4	• Grommet	
3	3588731	2	Bracket	
4	3588732	1	Bracket	
5	21368512	1	Bracket	
6	946730	4	Hexagon screw	
7	3830336	4	Spacer	
8	941670	4	Washer	
9	1678297	1	Spacer sleeve	
10	979935	1	Flange screw	
11	971096	1	Flange nut	
12	979935	1	Flange screw	
13	965186	1	Flange screw	
14	965190	1	Flange screw	