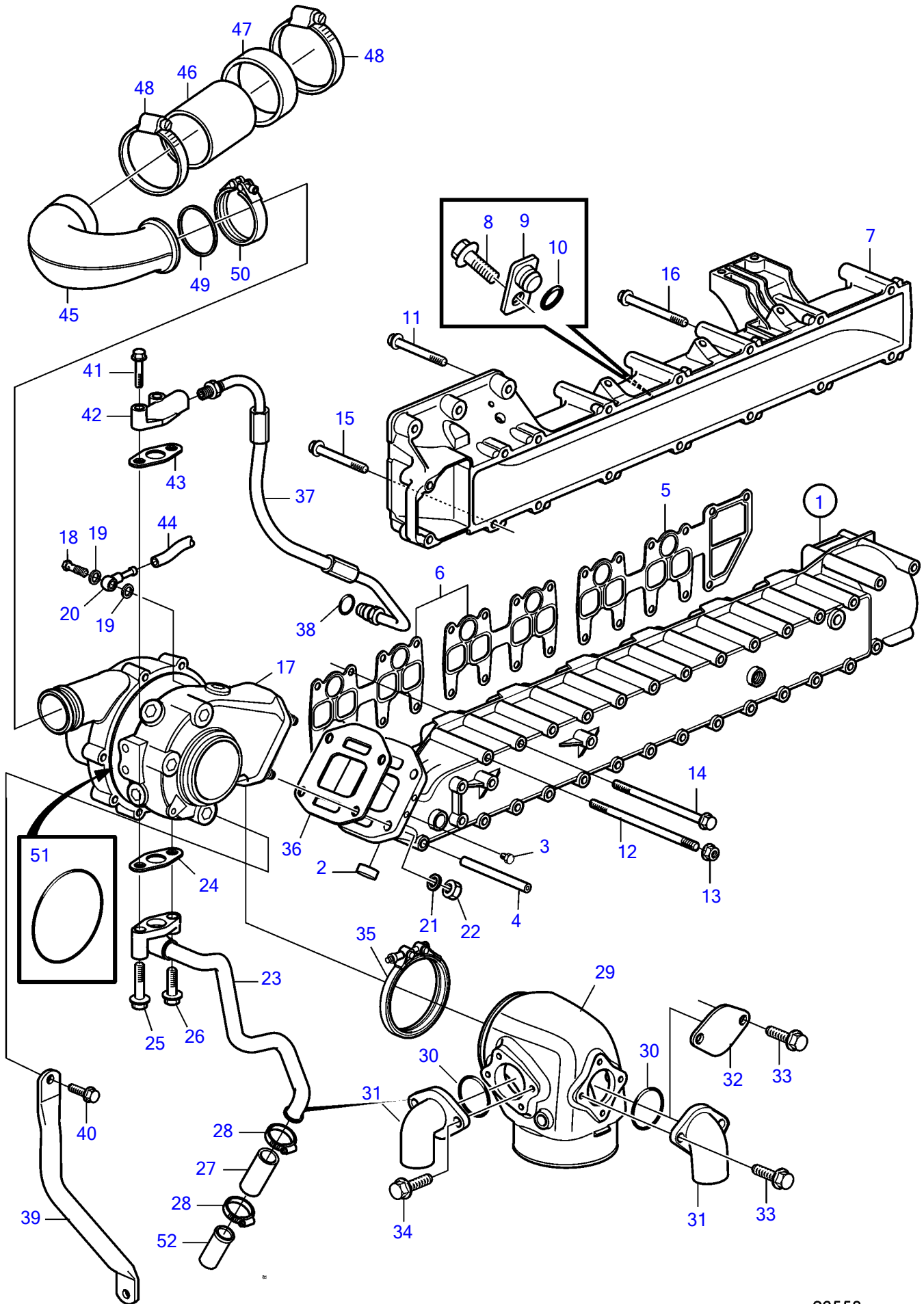


D6-400A-F, D6-435D-F, D6-435I-SC-F, D6-435I-WJ-F



D6-400A-F, D6-435D-F, D6-435I-SC-F, D6-435I-WJ-F

REF	PART NO.	QTY	DESCRIPTION	NOTES
1	3841203	1	Exhaust manifold	
2	8131707	1	• Cap plug	
3	479979	1	• Plug	
4	3583116	1	• Spring pin	
5	3583336	1	Gasket	
6	3582725	2	Gasket	
7	21871925	1	Inlet pipe	
8	946501	1	Flange screw	
9	21851463	1	Adapter	
10	925053	1	O-ring	
11	948217	4	Flange screw	L=45mm
12	948194	6	Stud	
13	945408	6	Flange nut	
14	968999	22	Flange screw	L=130mm
15	965216	4	Flange screw	L=55mm
16	965184	10	Flange screw	L=100mm
17	3801138	1	Turbocharger	
			• parts not sold separately	
18	969299	1	Hollow screw	
19	11994	2	Gasket	
20	858750	1	Banjo nipple	
21	955895	4	Washer	
22	940183	4	Hexagon nut	
23	3582967	1	Oil return pipe	
24	860105	1	Gasket	
25	948217	1	Flange screw	
26	945444	1	Flange screw	
27	466328	1	Hose	
28	994559	2	Hose clamp	
29	21700014	1	Exhaust riser	
30	969415	2	O-ring	
31	21450768	2	Connector	
32	3584006	1	Cover	
33	947542	2	Flange screw	
34	948356	4	Flange screw	
35	21325767	1	V-band clamp	
36	21452196	1	Gasket	
37	40005392	1	Oil pressure pipe	
38	976971	1	O-ring	
39	3583094	1	Support	
40	946471	1	Flange screw	
41	947760	2	Flange screw	
42	8192268	1	Flange	
43	420641	1	Gasket	
44	942700	X	Hose	L=600mm
45	3809909	1	Connection pipe	
46	3843854	1	Hose	
47	3883213	1	Ring retainer	
48	943481	2	Hose clamp	
49	1542781	1	Sealing ring	
50	20592787	1	Hose clamp	
51	3887153	1	O-ring	
52	3583622	1	Hose connection	

47704600-25-37306

26558

Upd:2014-07-17