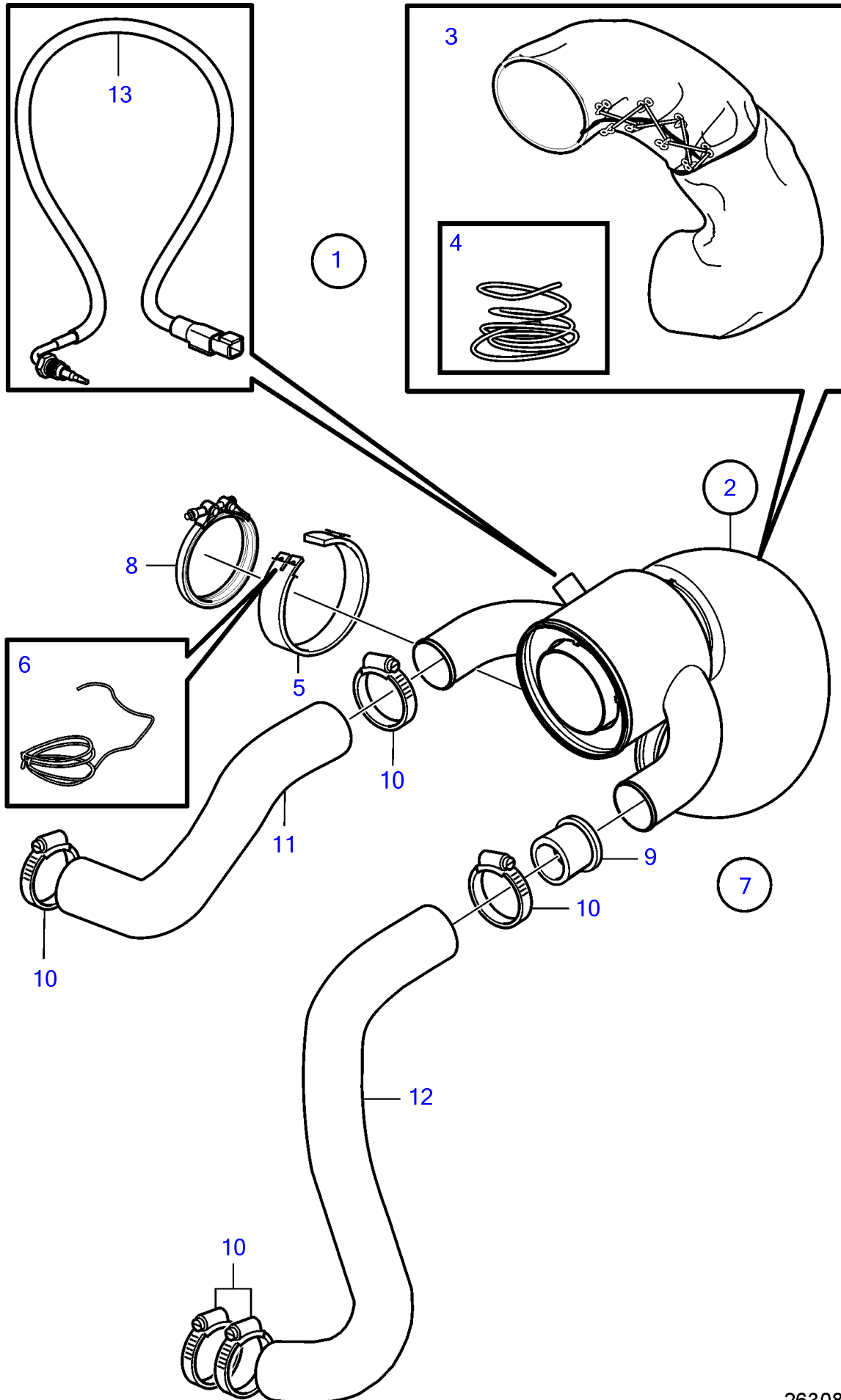


D6-435D-F



D6-435D-F

REF	PART NO.	QTY	DESCRIPTION	SEE SEC.	NOTES
1		1	Exhaust riser		
2	21700022	1	• Exhaust riser		
3	3584486	1	• • Isolation		
4	941710	X	• • Locking wire		
5	3817196	1	• Isolation		
6	941710	X	• Locking wire		
7		1	• Kit		
8	21325767	1	• • V-band clamp		
9	3819914	1	• • Sleeve		
10	961672	5	• • Hose clamp		
11	22132147	1	• Hose		
12	21109804	1	• Hose		
13	21673187	1	Temperature sensor		
			• Installation Instruction 47703789	47703789-EN	Sensor