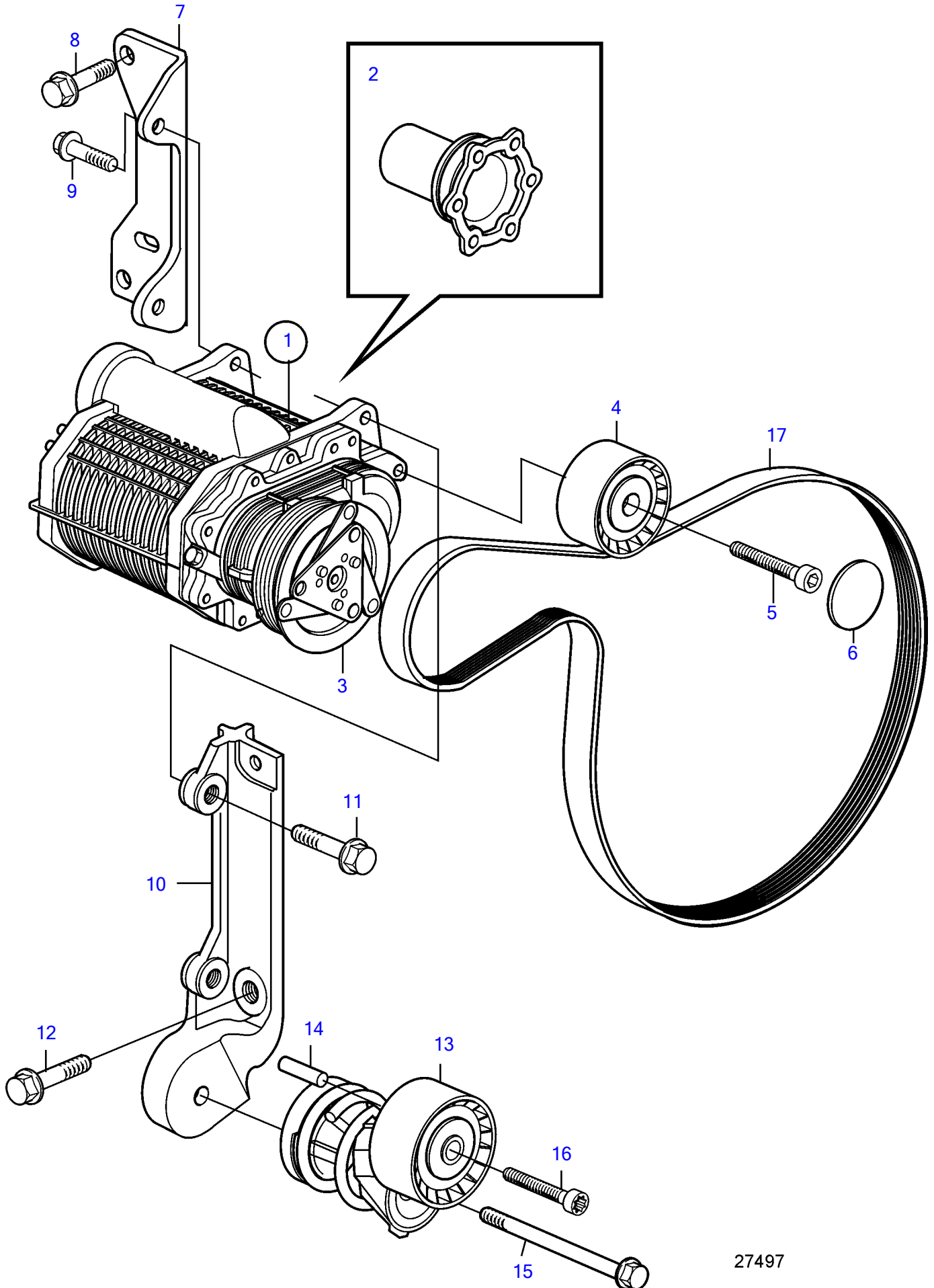


D6-370D-F



27497

D6-370D-F

REF	PART NO.	QTY	DESCRIPTION	SEE SEC.	NOTES
1	3803851	1	Compressor, exch		12V
	3803852	1	Compressor, exch		24V, SOLAS
2	22409091	1	• Spindle		
3	889996	1	Clutch		12V, Shims are included
	3588854	1	Clutch		24V, Shims are included
4	3848896	1	Idler pulley		SN-2006032252, Replaced by 21280913
	21280913	1	Idler pulley		SN-2006032252
			• Installation Instruction 7749376	7749376-EN	Idler Pulley
4	3847482	1	Idler pulley		SN2006032253-
5	959224	1	Hex. socket screw		
6		1	Protecting cover		
7	3582971	1	Bracket		
8	946472	2	Flange screw		
9	946329	2	Flange screw		
10	3588069	1	Bracket		
11	965186	2	Flange screw		
12	946472	2	Flange screw		
13	3588305	1	Belt tensioner		
14	950542	1	Pin		
15	947790	1	Flange screw		
16		1	Allen head screw		
17	21407026	1	Belt		