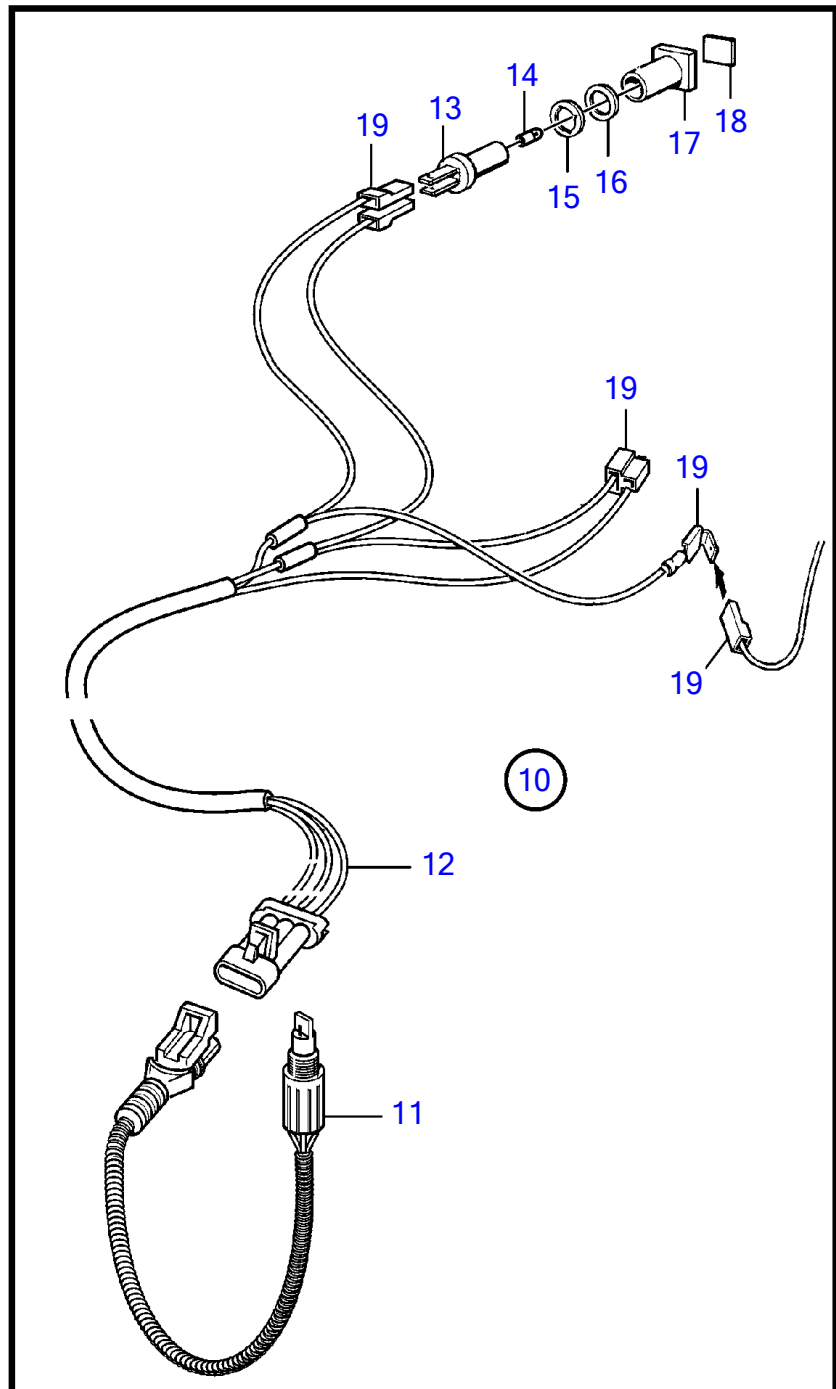
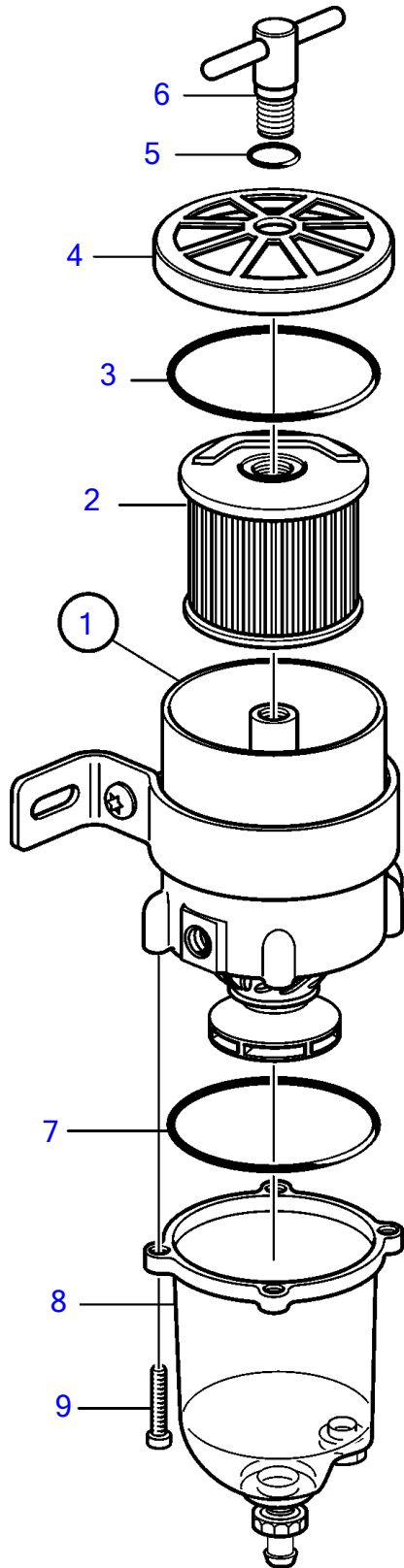


D6-300A-F, D6-300D-F (MC), D6-300I-F, D6-330A-F, D6-330D-F, D6-330I-F, D6-370A-F, D6-370D-F, D6-370I-F, D6-400A-F, D6-435D-F, D6-435I-SC-F, D6-435I-TC-F, D6-435I-WJ-F



D6-300A-F, D6-300D-F (MC), D6-300I-F, D6-330A-F, D6-330D-F, D6-330I-F, D6-370A-F, D6-370D-F, D6-370I-F, D6-400A-F, D6-435D-F, D6-435I-SC-F, D6-435I-TC-F, D6-435I-WJ-F

REF	PART NO.	QTY	DESCRIPTION	SEE SEC.	NOTES
1	877762	1	Fuel filter		
			▪ Bulletin P-44-5-18	P-44-5-18-EN	Water in Fuel Alarm for fuel pre-filters
2	861014	1	▪ Insert		
3	838504	1	▪ Gasket		
4		1	▪ Strainer		
5	838506	1	▪ O-ring		
6		1	▪ Handle		
7	3838861	1	▪ Gasket		
8	3838848	1	▪ Bowl		
9	950024	4	▪ Cross recessed screw		
10	1140724	1	Level guard		
11	3588916	1	▪ Alarm kit		
12	881774	1	▪ Wiring harness		
13	808175	1	▪ Lamp socket		
14	19923	1	▪ Bulb		12V, 2W
	182059	1	▪ Bulb		24V, 3W
15	967583	1	▪ Retainer		
16	829714	1	▪ Sealing ring		
17	838455	1	▪ Retainer		
18	872591	1	▪ Symbol strip		
19		X	▪ cables and terminals	1963	