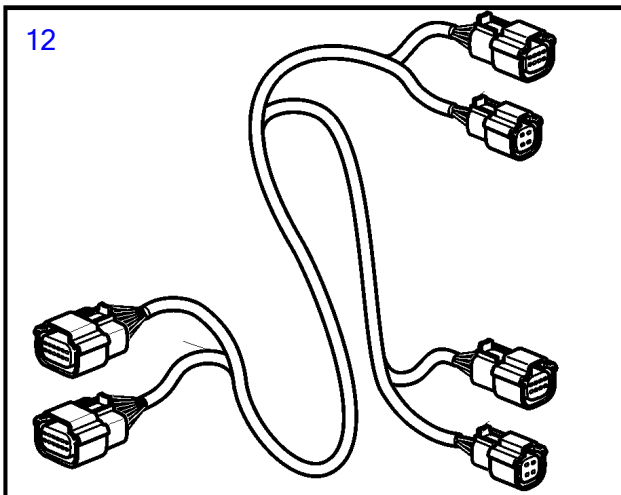
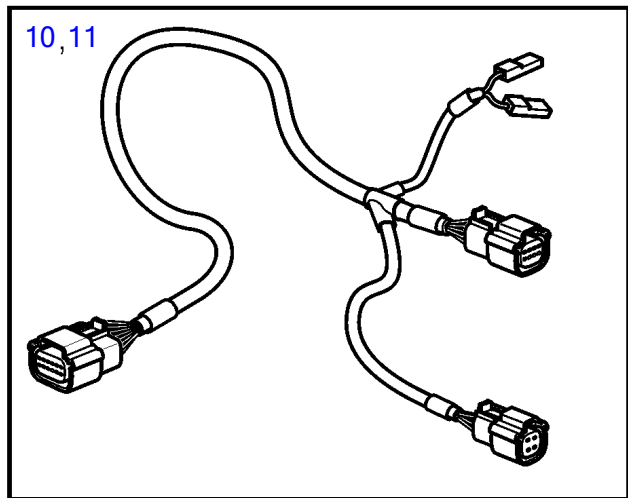
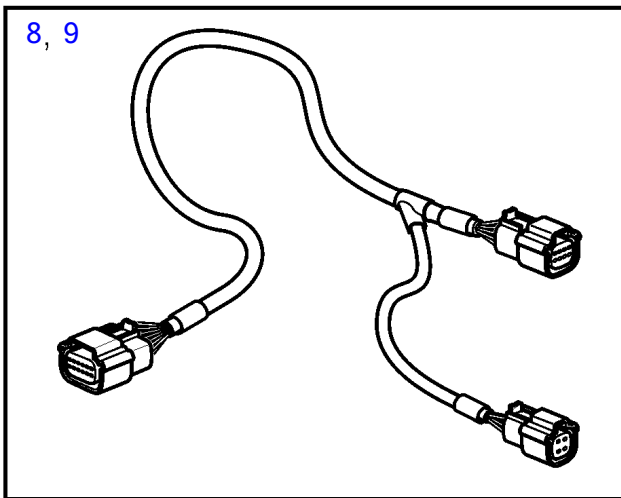
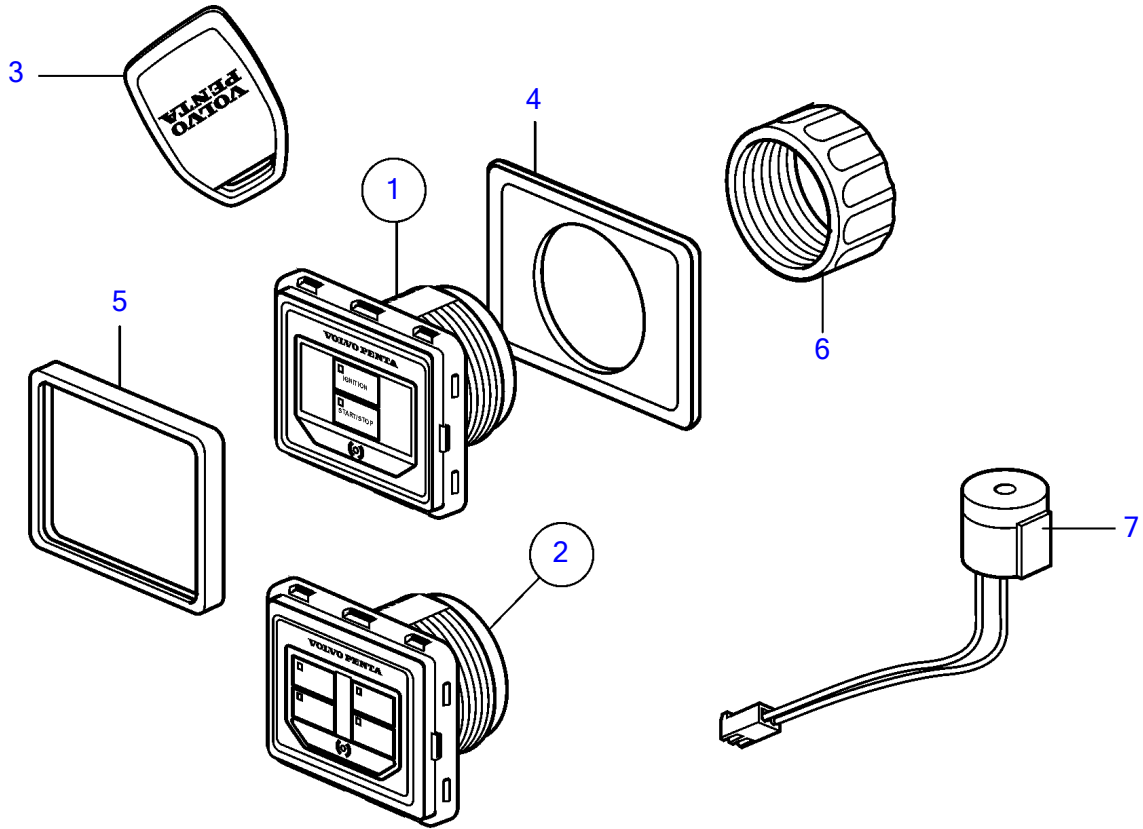


D6-300A-F, D6-300I-F, D6-330A-F, D6-330D-F, D6-330I-F, D6-370A-F, D6-370D-F, D6-370I-F, D6-400A-F, D6-435D-F, D6-435I-SC-F, D6-435I-WJ-F



26339

D6-300A-F, D6-300I-F, D6-330A-F, D6-330D-F, D6-330I-F, D6-370A-F, D6-370D-F, D6-370I-F, D6-400A-F, D6-435D-F, D6-435I-SC-F, D6-435I-WJ-F

REF	PART NO.	QTY	DESCRIPTION	NOTES
1	21758304	1	Panel	Single panel
2	21836809	1	Panel	Twin panel
3	21758351	2	• Key	
4	3808135	1	• Gasket	
5	21467057	1	• Frame	
6	3808134	1	• Nut	
7	21358227	1	• Buzzer	
8	21693204	1	Cable	e-Key single harness
9	21693208	1	Cable	e-Key twin harness
10	21693202	1	Cable	e-Key single harness with Lanyard
11	21693206	1	Cable	e-Key twin harness with Lanyard
12	21876876	1	Cable	e-Key quad harness