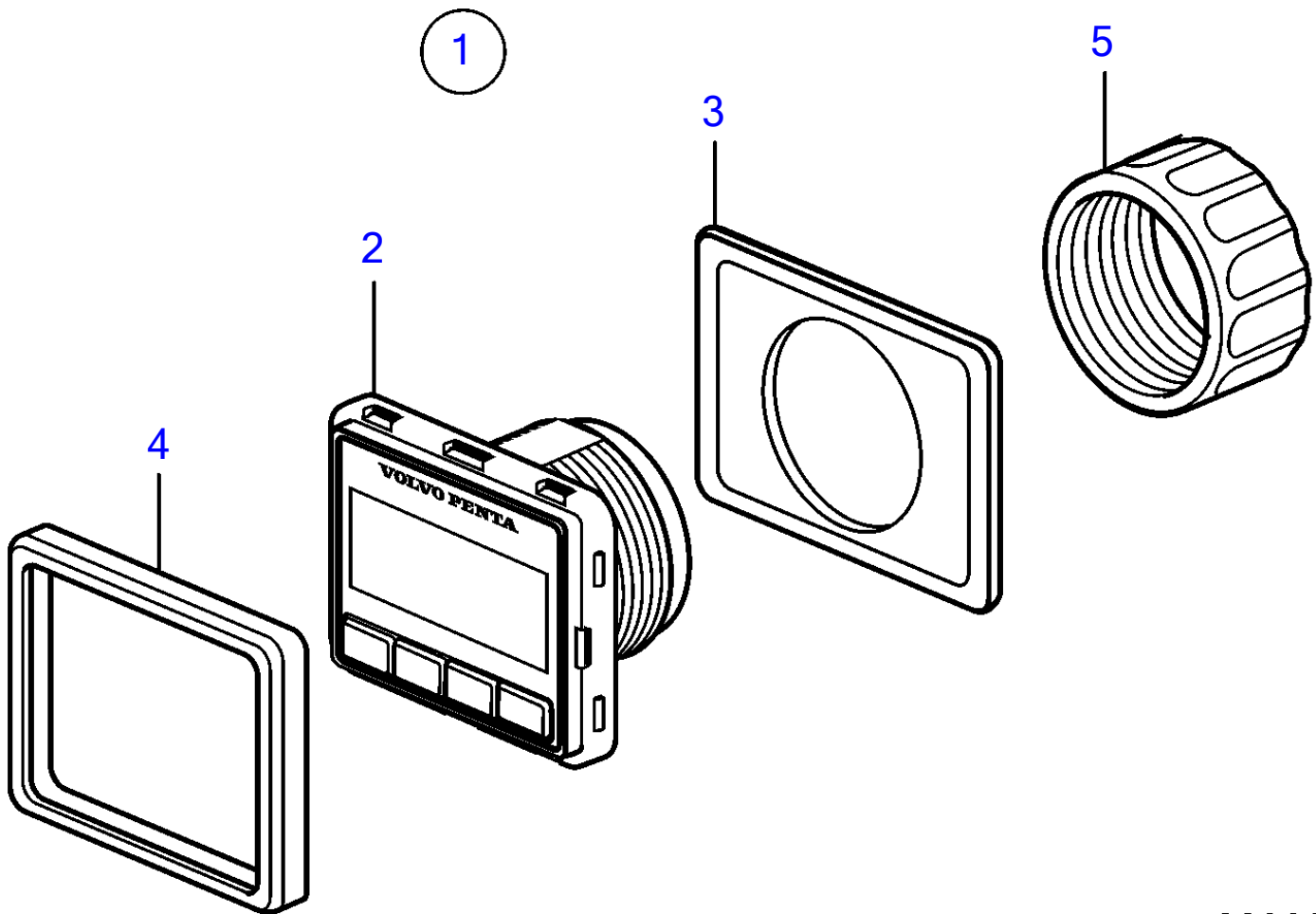


D6-300A-F, D6-300I-F, D6-330A-F, D6-330D-F, D6-330I-F, D6-370A-F, D6-370D-F, D6-370I-F, D6-400A-F, D6-435D-F, D6-435I-WJ-F



26330

D6-300A-F, D6-300I-F, D6-330A-F, D6-330D-F, D6-330I-F, D6-370A-F, D6-370D-F, D6-370I-F, D6-400A-F, D6-435D-F, D6-435I-WJ-F

REF	PART NO.	QTY	DESCRIPTION
1	21846916	1	Display panel, kit
2		1	• Display panel
3	3808135	1	• Gasket
4	21467057	1	• Frame
5	3808134	1	• Nut