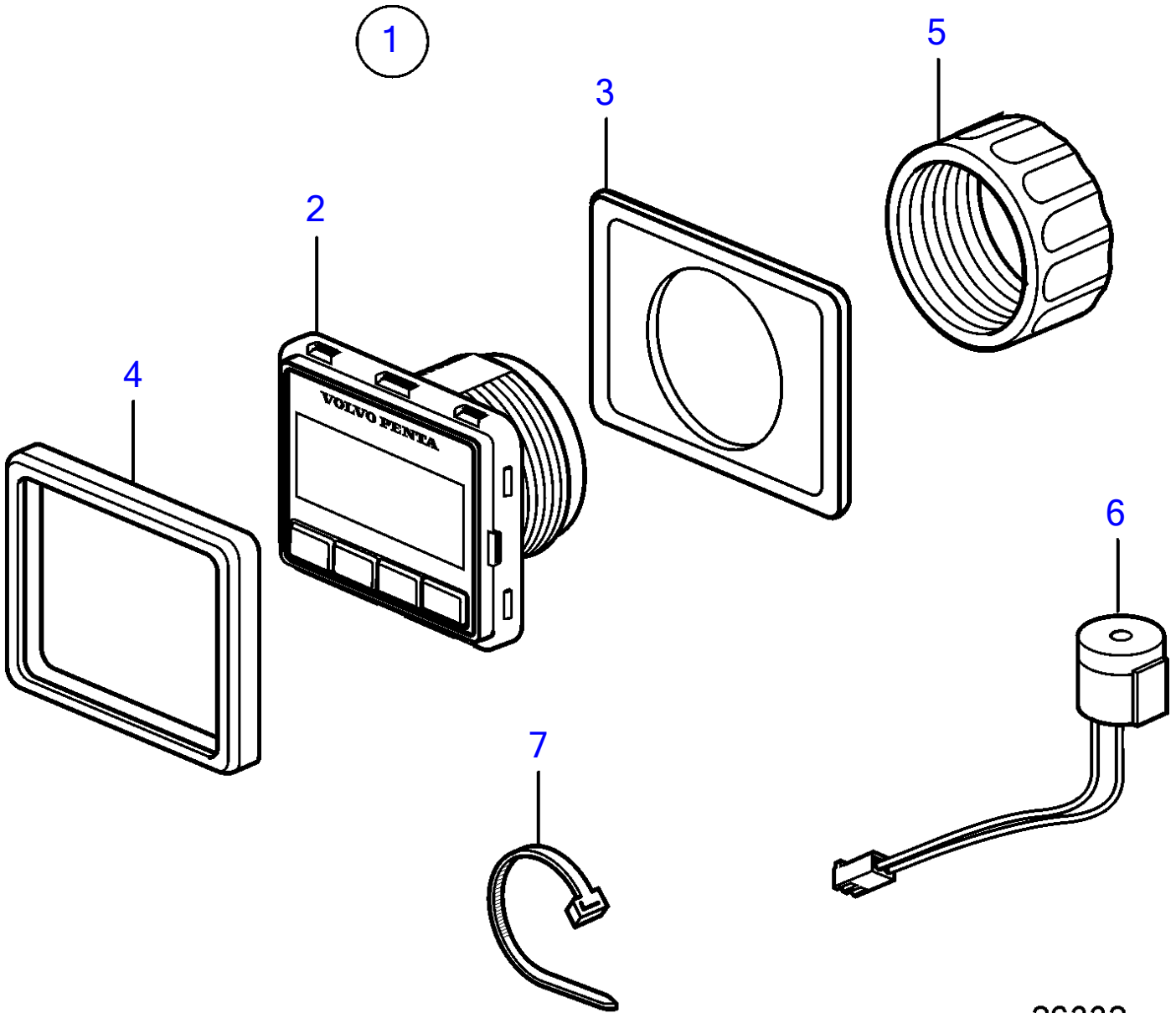


D6-300A-F, D6-330A-F, D6-330D-F, D6-330I-F, D6-370A-F, D6-370D-F, D6-370I-F, D6-400A-F, D6-435D-F, D6-435I-WJ-F



26332

D6-300A-F, D6-330A-F, D6-330D-F, D6-330I-F, D6-370A-F, D6-370D-F, D6-370I-F, D6-400A-F, D6-435D-F, D6-435I-WJ-F

REF	PART NO.	QTY	DESCRIPTION	NOTES
1	21846926	1	Display panel	
2		1	• Display panel	
3	3808135	1	• Gasket	
4	21467057	1	• Frame	
5	3808134	1	• Nut	
6	21358227	1	• Buzzer	
7	948211	X	Cable tie	For top mounting