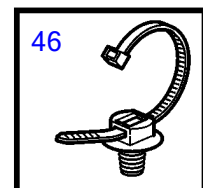
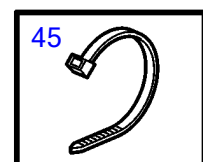
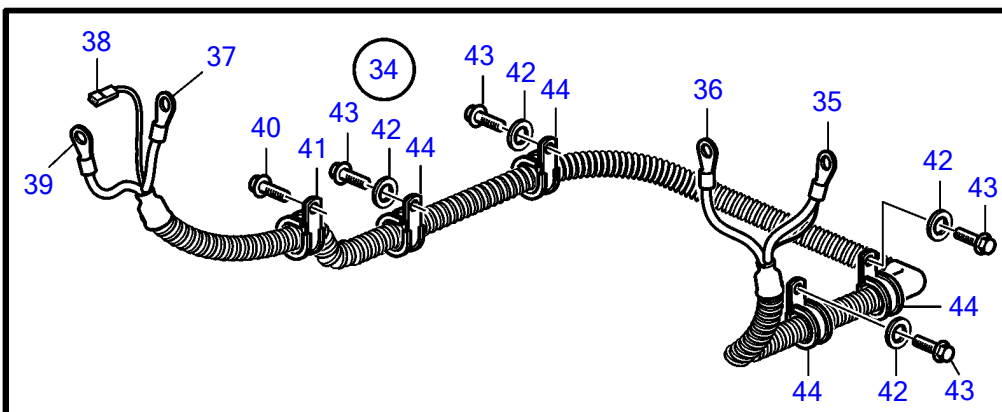
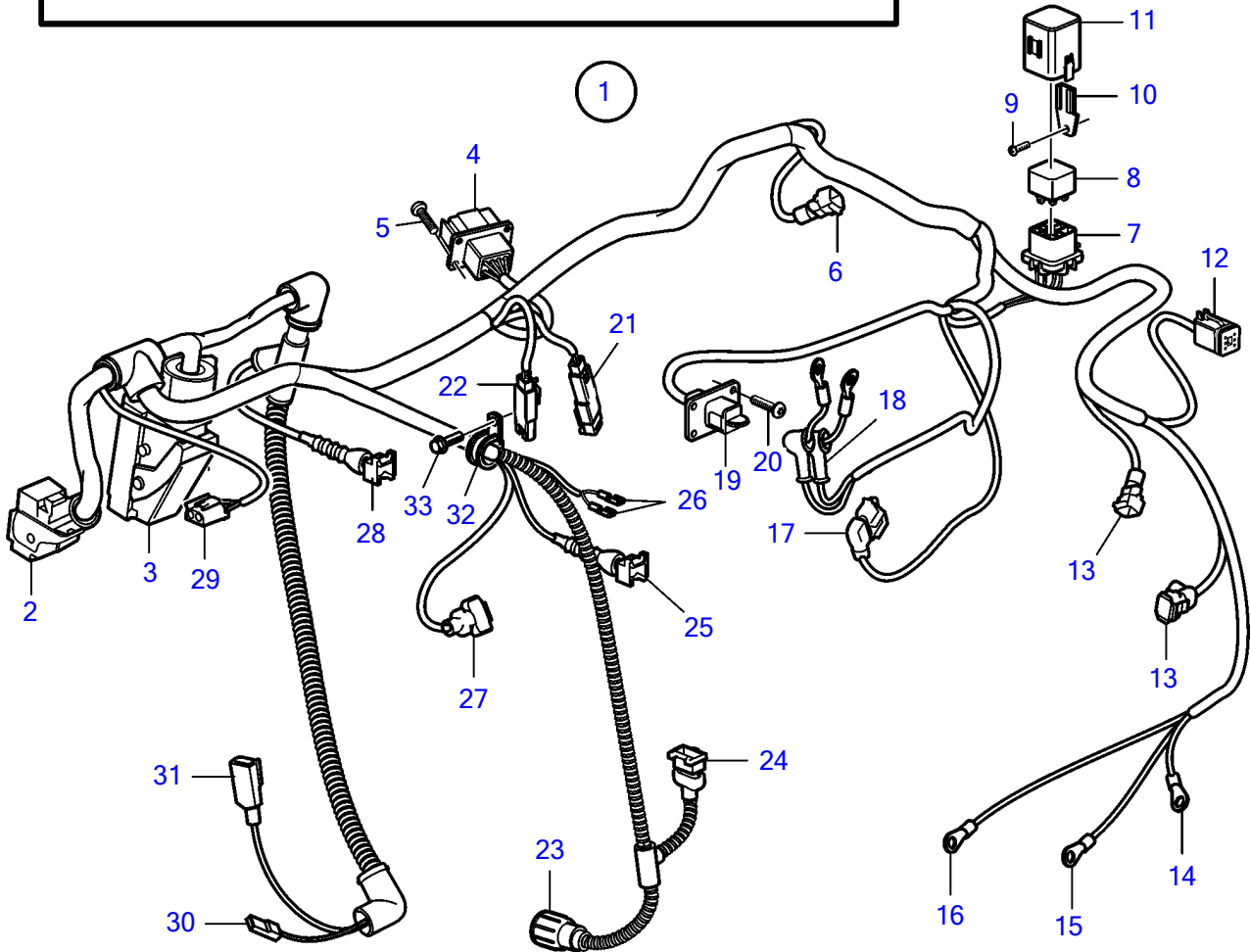
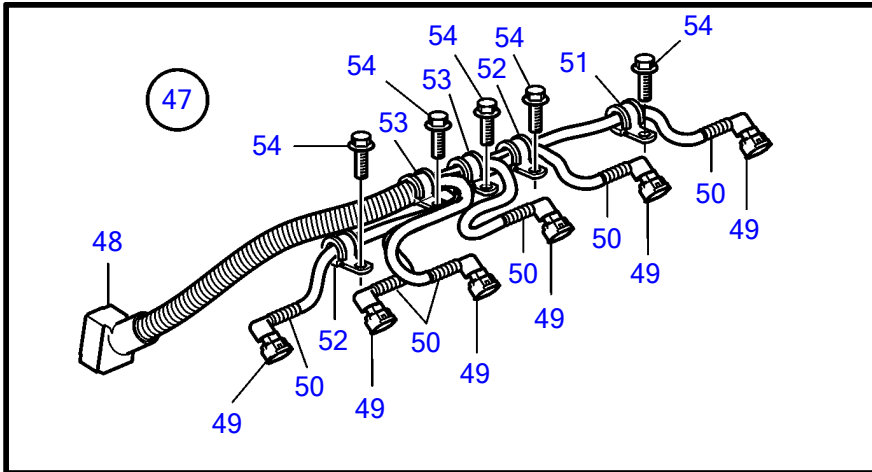


D6-300A-F, D6-300D-F (MC), D6-300I-F, D6-330A-F, D6-330D-F, D6-330I-F, D6-370A-F, D6-370D-F, D6-370I-F, D6-400A-F, D6-435D-F, D6-435I-SC-F, D6-435I-WJ-F



26994

D6-300A-F, D6-300D-F (MC), D6-300I-F, D6-330A-F, D6-330D-F, D6-330I-F, D6-370A-F, D6-370D-F, D6-370I-F, D6-400A-F, D6-435D-F, D6-435I-SC-F, D6-435I-WJ-F

REF	PART NO.	QTY	DESCRIPTION	NOTES
1	21857956	1	Wiring harness	
2	874565	1	▪ Coupling piece, 36-pole	EDC-unit
3	874564	1	▪ Coupling piece, 89-pole	EDC-unit
4	874432	1	▪ Tab housing	
5	968476	4	▪ Flange screw	
6	874368	1	▪ Receptacle housing	
7	3587172	1	▪ Relay socket	
8	21400091	1	▪ Relay	12V
	3171420	1	▪ Relay	24V
9	968476	1	▪ Flange screw	
10	21492847	1	▪ Relay bracket	
11	21494263	1	▪ Relay box	
12	874957	1	▪ Housing	
13	874368	2	▪ Receptacle housing, pressure/temp	2-pole
14	978969	1	▪ Cable terminal	
15	978970	1	▪ Cable terminal	
16	970790	1	▪ Cable terminal	
17	874456	1	▪ Receptacle housing	
18	829200	2	▪ Protective cap	
19	992330	1	▪ Housing	
20	968476	4	▪ Flange screw	
21		1	▪ Housing	
22		1	▪ Housing	
23	3589939	1	▪ Connector	
24	977929	1	▪ Housing	
25	976256	1	▪ Housing, alternator	
26	949597	2	▪ Housing	
27	874455	2	▪ Receptacle housing	
28	976256	1	▪ Housing	
29	970753	1	▪ Housing	
30	949597	1	▪ Housing	
31	1624477	1	▪ Housing	
32	952629	1	Clamp, temperature	
33	946501	1	Flange screw	
34	21736443	1	Wiring harness	
35	978966	1	▪ Cable terminal	
36	940336	1	▪ Cable terminal	
37	976478	1	▪ Cable terminal	
38	949597	1	▪ Housing	
39	976477	1	▪ Cable terminal	
40	946501	1	Flange screw	
41	952634	1	Clamp, alternator	
42	955894	4	Washer	
43	946440	4	Flange screw, alternator	
44	945081	4	Clamp, starter motor	
45	948211	X	Cable tie, starter motor	
46	980881	X	Cable tie, starter motor	
47	3809879	1	Wiring harness	
48	874569	1	▪ Retainer	
49	874368	4	▪ Receptacle housing	
50	3809871	4	▪ Rubber cap	
51	952624	1	Clamp	
52	952627	1	Clamp	
	952634	1	Clamp	
53	952629	2	Clamp	
54	946501	5	Flange screw	