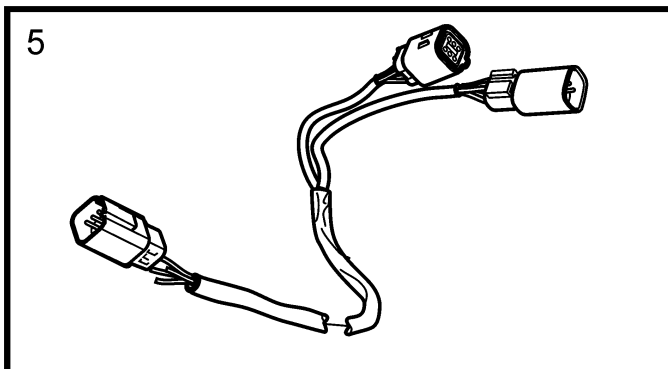
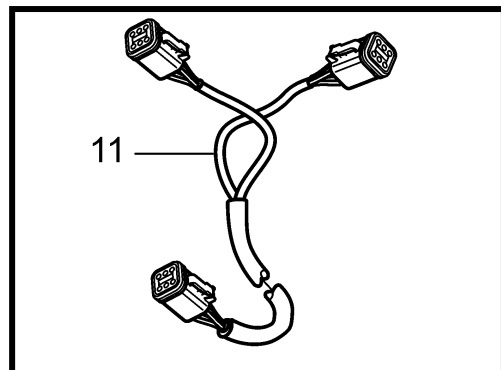
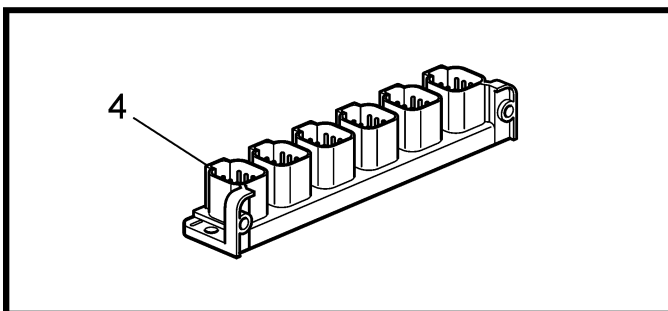
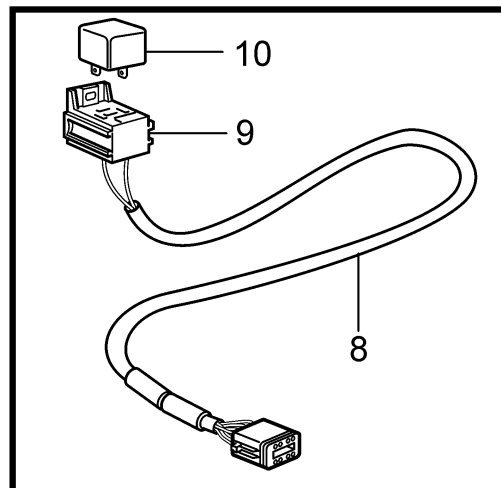
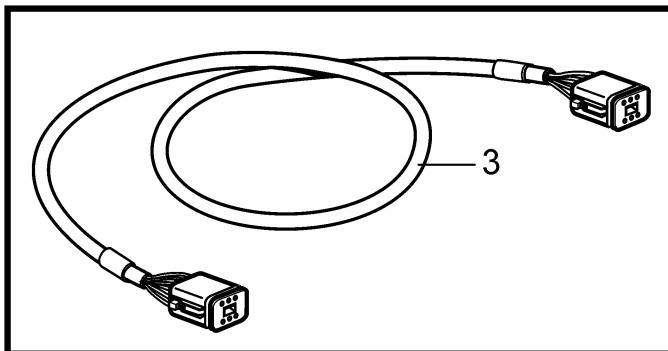
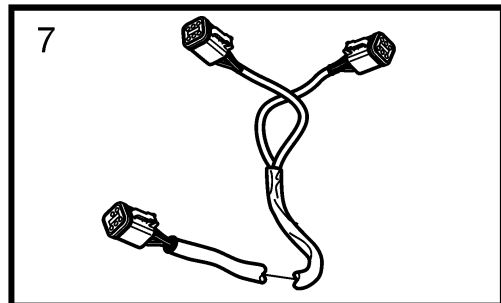
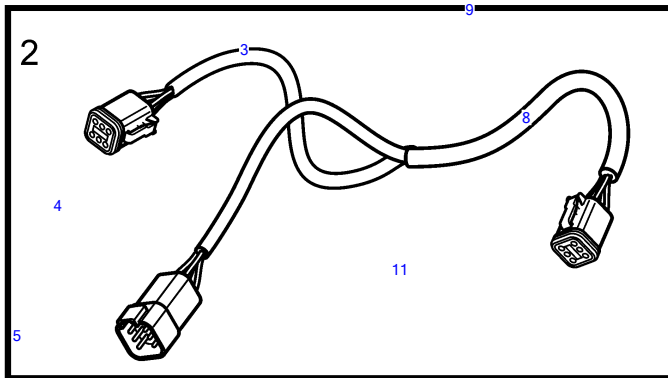
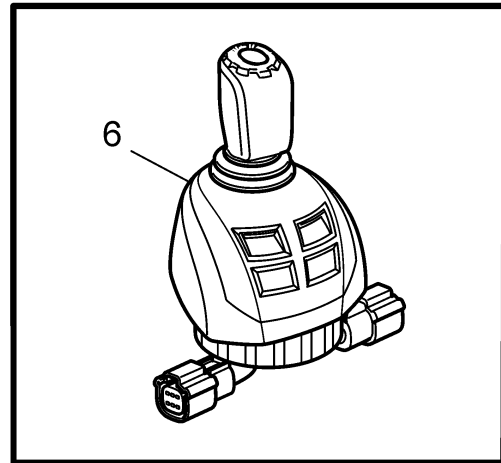
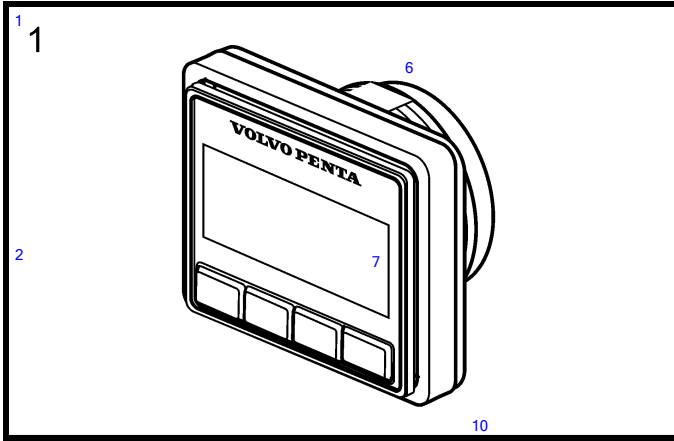


D6-330D-F, D6-370D-F, D6-435D-F



26363

D6-330D-F, D6-370D-F, D6-435D-F

REF	PART NO.	QTY	DESCRIPTION	NOTES
1	21846926	1	Display panel	
2	3588972	3	Cable kit	
3	3886666	1	Cable	
4	21469055	1	Connection block	
5	21421941	2	Cable	
6	21846873	1	Control knob	
7	21427460	1	Cable	
8	21450563	2	Cable	
9	977184	1	• Housing	
10	873765	1	Relay	12V
	3171420	1	Relay	24V
11	21287072	1	Wiring harness	