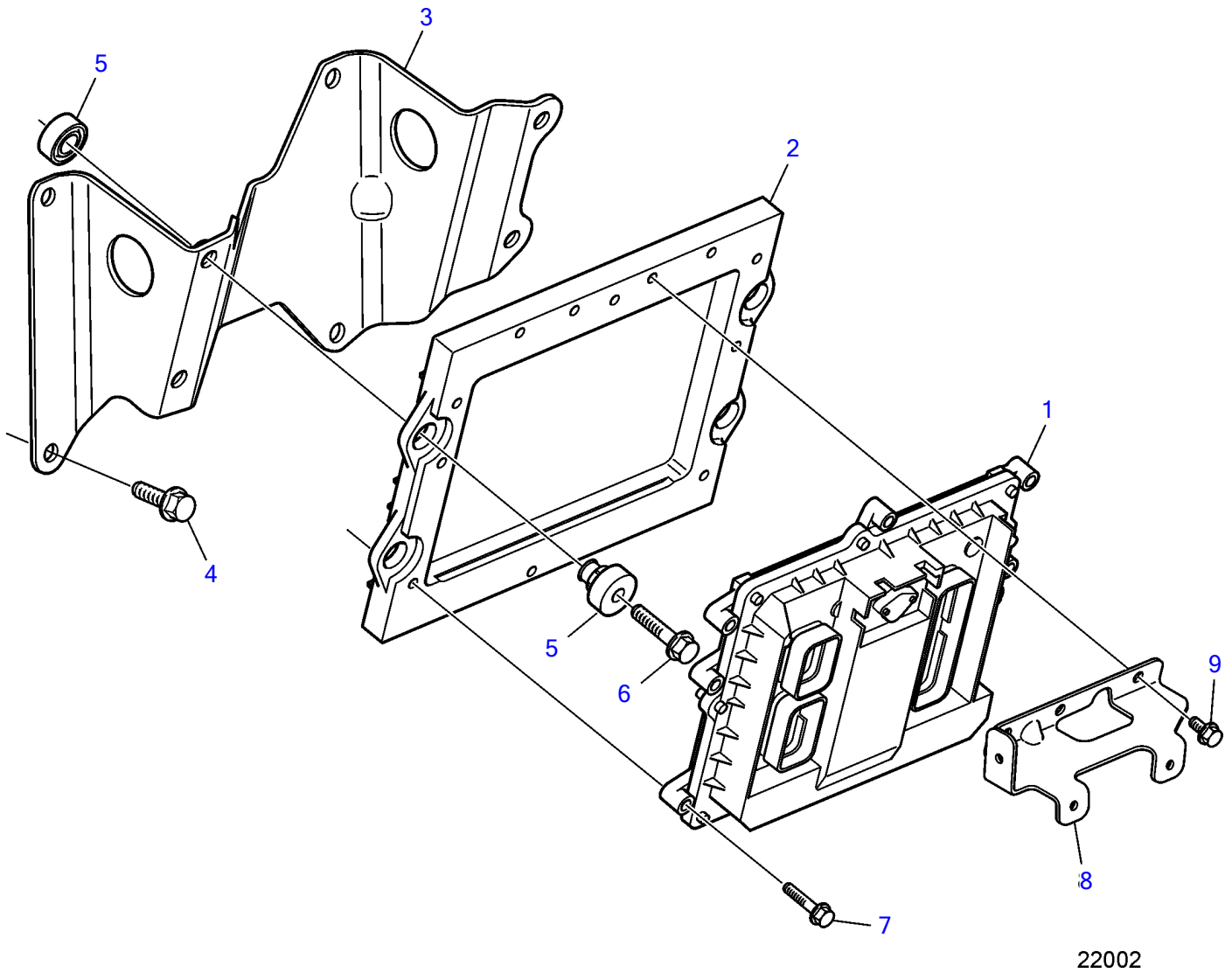


D6-300A-F, D6-300I-F, D6-330A-F, D6-330D-F, D6-330I-F, D6-370I-F, D6-435I-SC-F, D6-435I-WJ-F



D6-300A-F, D6-300I-F, D6-330A-F, D6-330D-F, D6-330I-F, D6-370I-F, D6-435I-SC-F, D6-435I-WJ-F

REF	PART NO.	QTY	DESCRIPTION	NOTES
1	881810	1	Control unit, not programmed	
	3586269	1	Software	Warehouse programming. This p/n can not be ordered, but will be used for invoicing.
	3586268	1	Software	Vodia-programming. This p/n can not be ordered, but will be used for invoicing.
2	3584080	1	Support	
3	3584382	1	Bracket	
4	946472	4	Flange screw	
5	3842049	4	Damping element	
6	947760	4	Flange screw	
7	948356	8	Flange screw	
8	3584146	1	Bracket	
9	967949	4	Flange screw	