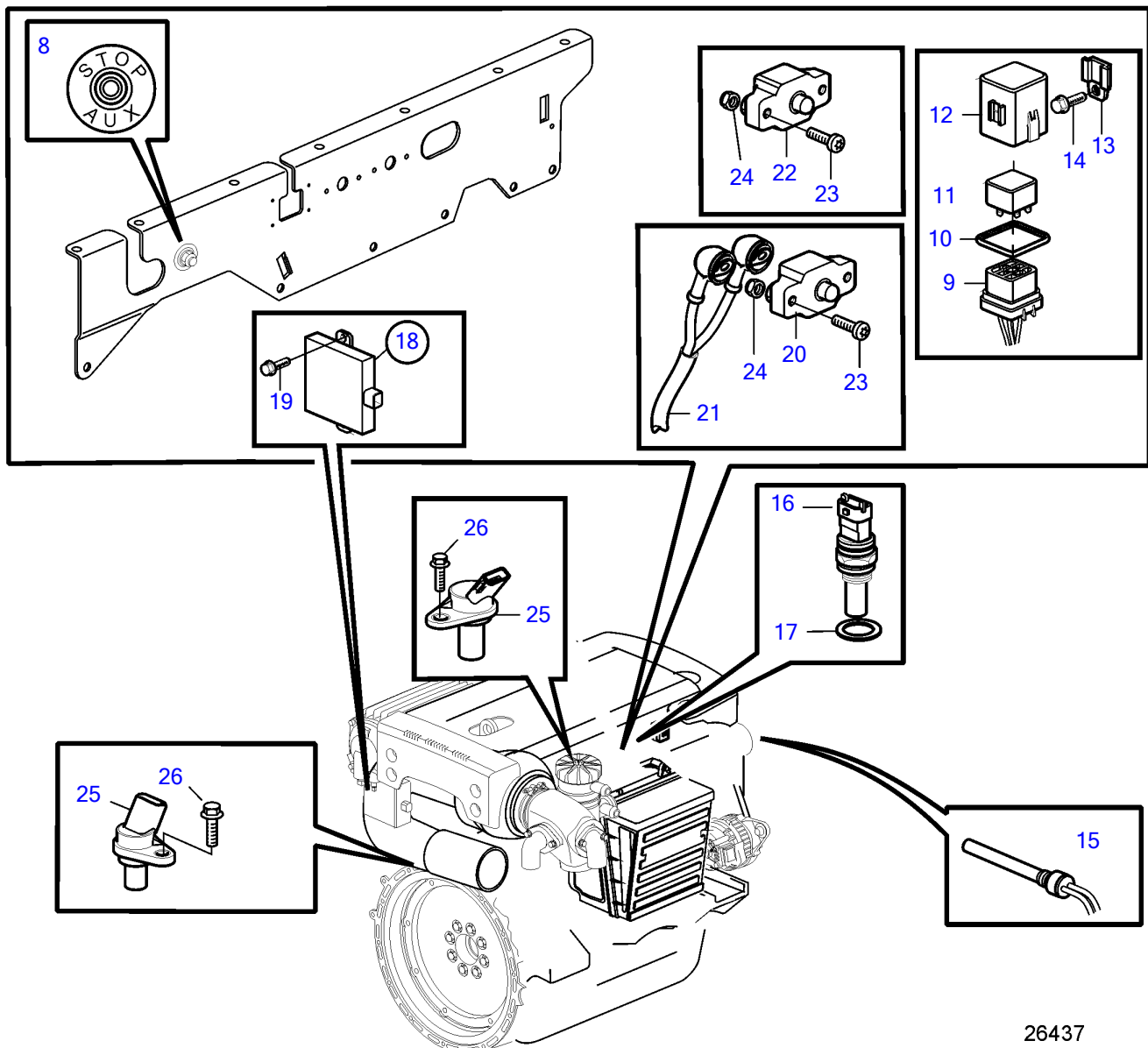
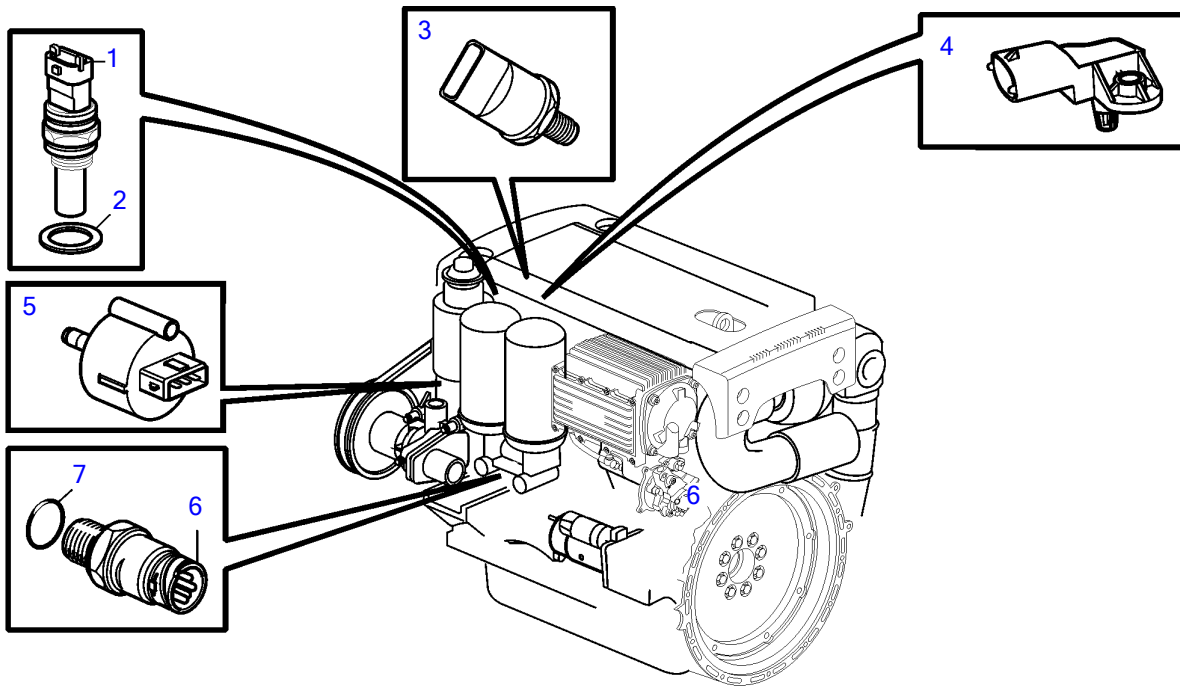


D6-300A-F, D6-330A-F, D6-370A-F, D6-370D-F, D6-400A-F, D6-435D-F



26437

D6-300A-F, D6-330A-F, D6-370A-F, D6-370D-F, D6-400A-F, D6-435D-F

REF	PART NO.	QTY	DESCRIPTION	NOTES
1	1624368	1	Sensor, fuel	
2	11996	1	Gasket	
3		1	Cable	Rail
4	21385453	1	Pressure sensor, charge pressure/temperature	
5	3808616	1	Sensor	Installation instruction included.
6	21634021	1	Pressure sensor	
7	968559	1	• O-ring	
8	828584	1	Toggle switch	
9	3587172	1	Relay socket	
10		1	Gasket	
11	21400091	1	Relay	12V
	3171420	1	Relay	24V
12	21494263	1	Relay box	
13	21492847	1	Relay bracket	
14	948663	1	Flange screw	
15	3547710	1	Level guard	
16	1624368	1	Sensor	
17	11996	1	Gasket	
18	21959663	1	Voltage converter	
19	946501	3	Flange screw	
20	856337	1	Automatic fuse	50A
21	21857924	1	Wiring harness	4 cylinders
	21855768	1	Wiring harness	6 cylinders
22	21445306	2	Fuse	20A
23	969408	4	6 point socket screw	
24	963104	4	Lock nut	
25	21426987	2	Speed sensor	
26	946544	4	Flange screw	