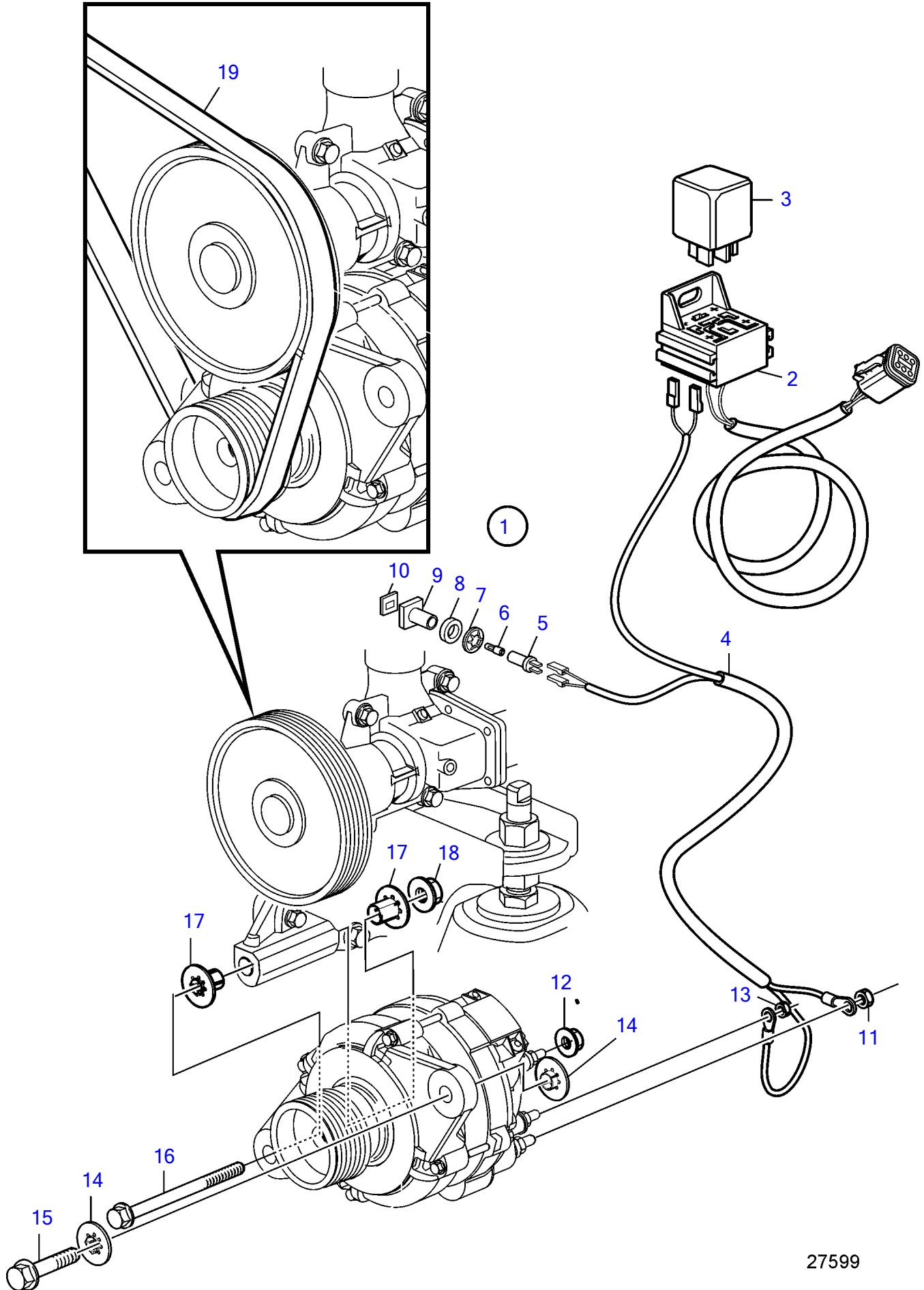


D6-300A-F, D6-300D-F (MC), D6-300I-F, D6-330A-F, D6-330D-F, D6-330I-F, D6-370A-F, D6-370D-F, D6-370I-F, D6-400A-F, D6-435D-F, D6-435I-SC-F, D6-435I-TC-F, D6-435I-WJ-F



27599

D6-300A-F, D6-300D-F (MC), D6-300I-F, D6-330A-F, D6-330D-F, D6-330I-F, D6-370A-F, D6-370D-F, D6-370I-F, D6-400A-F, D6-435D-F, D6-435I-SC-F, D6-435I-TC-F, D6-435I-WJ-F

REF	PART NO.	QTY	DESCRIPTION	NOTES
1	22448959	1	Alternator kit	Y-split, multisensor
2	21427463	1	• Cable	
3	21400091	1	• Relay	12V
4	21700777	1	• Wiring harness	
5	808175	1	• Lamp socket	
6	19923	1	• Bulb	12V
	182059	1	• Bulb	24V
7	967583	1	• Retainer	
8	829714	1	• Sealing ring	
9	838455	1	• Retainer	
10	838457	1	• Symbol strip	
11	983712	1	• Hexagon nut	
12	983714	1	• Hexagon nut	
13	983715	1	• Hexagon nut	
14	3589369	2	• Insulating bushing	
15	946470	1	• Flange screw	
16	979935	1	• Flange screw	
17	3589388	2	• Insulating bushing	
18	983717	1	• Hexagon nut	
19	21407028	1	• V-ribbed belt	