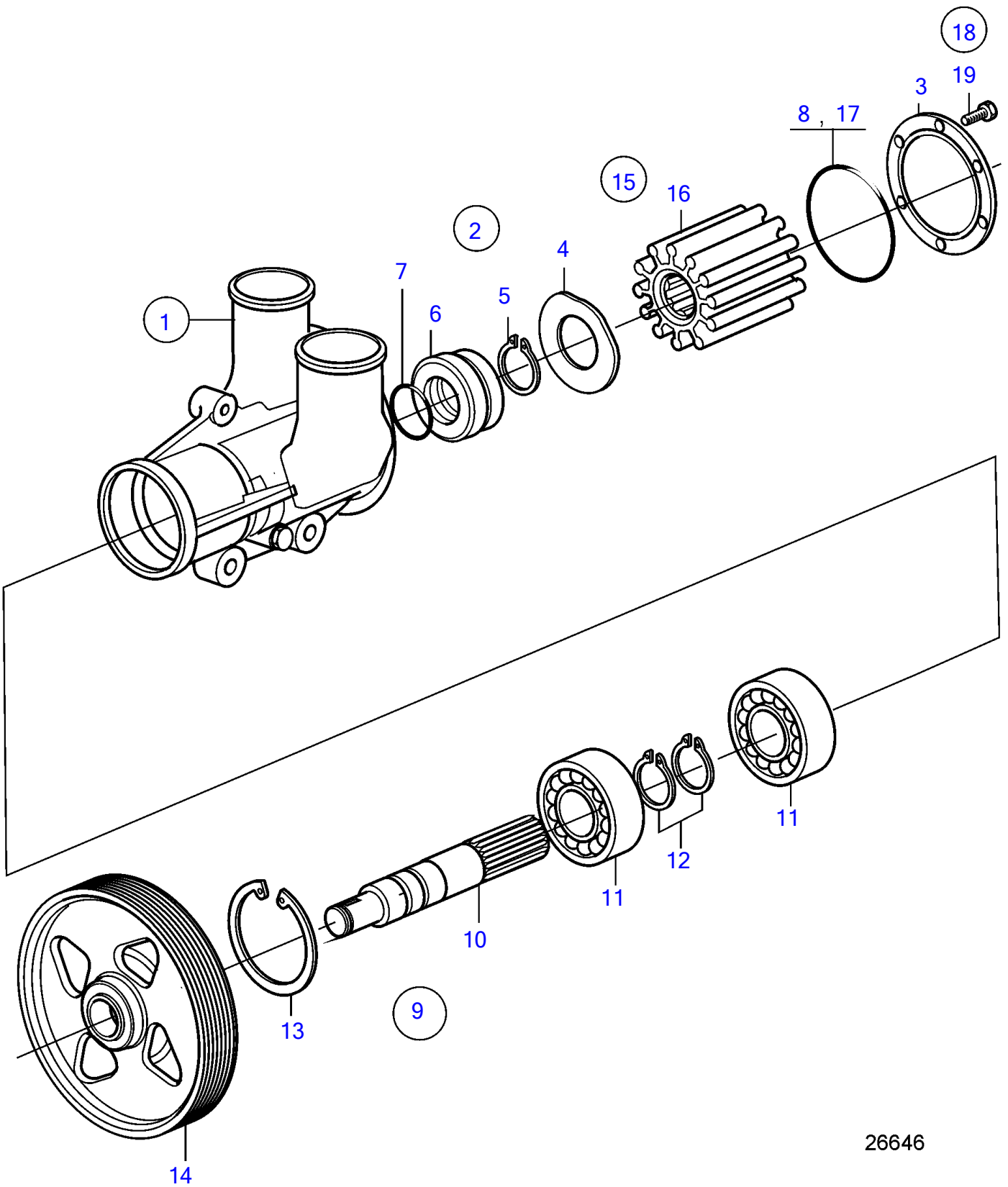


D6-300A-F, D6-300D-F (MC), D6-330A-F, D6-330D-F, D6-370A-F, D6-370D-F, D6-400A-F, D6-435D-F



26646

D6-300A-F, D6-300D-F (MC), D6-330A-F, D6-330D-F, D6-370A-F, D6-370D-F, D6-400A-F, D6-435D-F

REF	PART NO.	QTY	DESCRIPTION	SEE SEC.	NOTES
1	21419376	1	Sea water pump		
			• Bulletin P-26-6-5	P-26-6-5-EN	New seawater pump kits
2	21951404	1	• Wear kit		
3	(3581617)	1	• • Cover		Obsolete part
4		1	• • Wear plate		
5	943468	1	• • Snap ring		
6	864649	1	• • Sealing		
7	864648	1	• • O-ring		
8	(3581618)	1	• • O-ring		Obsolete part
9	21951465	1	• Shaft kit		
10	(21422635)	1	• • Shaft		Obsolete part
11	(21422639)	2	• • Ball bearing		Obsolete part
12	(21422640)	2	• • Snap ring		Obsolete part
13	(21422641)	1	• • Snap ring		Obsolete part
14		1	• • Pulley		
15	876771	1	• Impeller kit		replaced by next part number
	3887761	1	• Impeller kit		replaced by next part number
	21958592	1	• Impeller kit		replaced by next part number
	22000061	1	• Impeller kit		replaced by next part number
	21951358	1	• Impeller kit		
16		1	• • Impeller		
17	(3581618)	1	• • O-ring		Obsolete part
18	21951334	1	• Screw kit		
19	21346724	6	• • Hexagon screw		