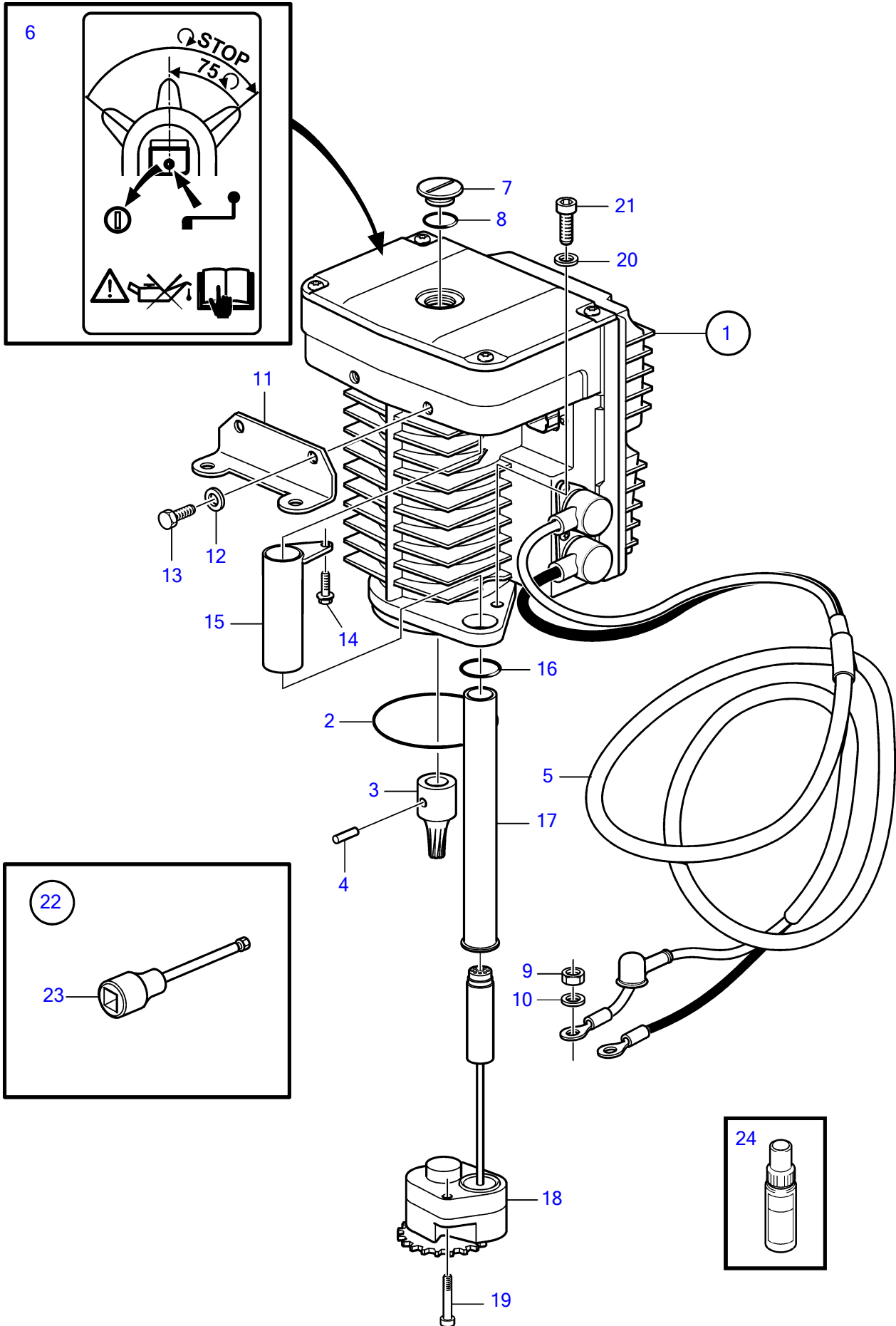


D6-310D-B, D6-310D-C, D6-310D-D, D6-330D-B, D6-330D-C, D6-330D-D, D6-370D-B, D6-370D-C, D6-370D-D, D6-310D-E, D6-330D-E, D6-370D-E, D6-435D-A, D6-435D-D, D6-435D-C, D6-435D-E, IPS-E



D6-310D-B, D6-310D-C, D6-310D-D, D6-330D-B, D6-330D-C, D6-330D-D, D6-370D-B, D6-370D-C, D6-370D-D, D6-310D-E, D6-330D-E, D6-370D-E, D6-435D-A, D6-435D-D, D6-435D-C, D6-435D-E, IPS-E

REF	PART NO.	QTY	DESCRIPTION	NOTES
1	3801402	1	Servo unit	EVC-D
	3809285	1	Software	Vodia-programming. This p/n can not be ordered, but will be used for invoicing.
	3809286	1	Software	Warehouse programming. This p/n can not be ordered, but will be used for invoicing.
2	925258	1	• O-ring	
3	3588108	1	• Sun gear	
4	949796	1	• Spring pin	
5	888553	1	• Cable	Std
	3807917	1	• Cable	Jackshaft
6	3809619	1	• Decal	
7	3809775	1	• Closure	
8	955994	1	• O-ring	
9	983715	2	Hexagon nut	
10	941907	2	Spring washer	
11	21408647	1	Bracket	
12	941670	2	Washer	
13	984697	2	Hexagon screw	
14	945358	1	Flange screw	
15	3587842	1	Tube	
16	949657	1	O-ring	
17	3862558	1	Tube	
18	21147917	1	Sensor kit	
19	959207	2	Hex. socket screw	
20	946541	2	Hex. socket screw	
21	941670	2	Washer	
22	3812065	1	Kit	
23	3863070	1	• Tool	
24	9434520	1	Locking fluid	Use for area between resolver and SUS.