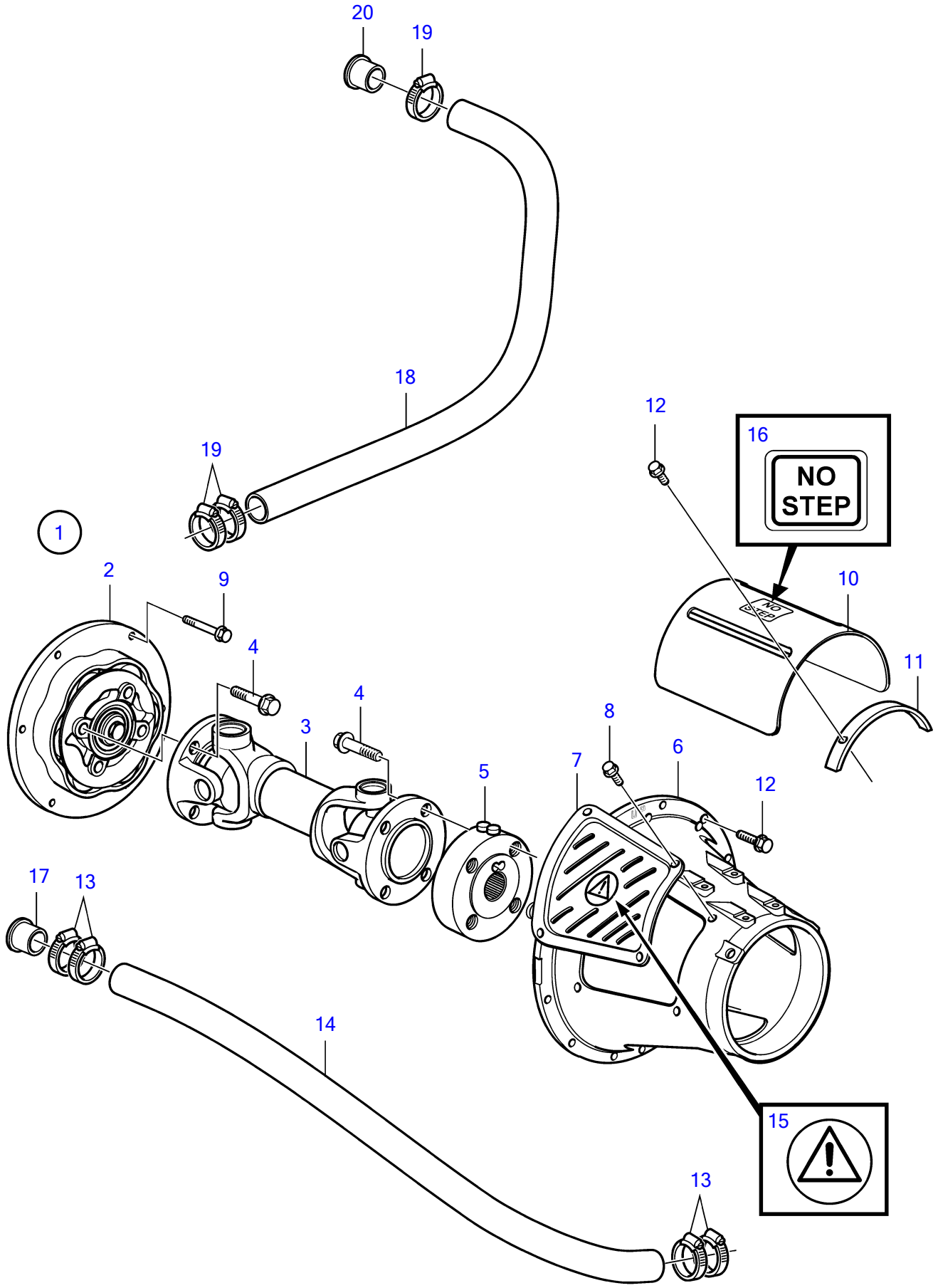


D6-310D-B, D6-310D-C, D6-310D-D, D6-330D-B, D6-330D-C, D6-330D-D, D6-370D-B, D6-370D-C, D6-370D-D, D6-310D-E, D6-330D-E, D6-370D-E, D6-435D-A, D6-435D-D, D6-435D-C, D6-435D-E, IPS-A, IPS-B, IPS-C, IPS-D, IPS-E, IPS-F



D6-310D-B, D6-310D-C, D6-310D-D, D6-330D-B, D6-330D-C, D6-330D-D, D6-370D-B, D6-370D-C, D6-370D-D, D6-310D-E, D6-330D-E, D6-370D-E, D6-435D-A, D6-435D-D, D6-435D-C, D6-435D-E, IPS-A, IPS-B, IPS-C, IPS-D, IPS-E, IPS-F

REF	PART NO.	QTY	DESCRIPTION	NOTES
1	21111686	1	Flexible coupling	Replaced by 21393521
	21393521	1	Flexible coupling	
2	21509615	1	• Roller kit	Kit includes 6 pcs rubber rollers
3	3861048	1	Propeller shaft	L=335mm
4	465826	8	Flange screw	
5	3862153	1	Flange	
6	3861047	1	Protecting casing	Replaced by 21657788
	21657788	1	Protecting casing	
7	3862871	2	Protecting screen	
8	968476	8	Flange screw	L=13mm
9	965186	8	Flange screw	L=50mm
10	3862515	1	Protecting plate	
11	3862869	1	Tensioning ring	
12	946752	12	Flange screw	L=35mm
13	961672	4	Hose clamp	Std/Riser (3584038)
14	3819570	1	Hose	Replaced by 1140670
	1140670	X	Exhaust hose	
15	3817024	2	Decal	
16	841144	1	Decal	
17	3883983	1	Sleeve	Ratio 2.08:1
18	3819572	1	Hose	Ratio 1.94:1, Ratio 1.82:1, Std/Riser, Replaced by 1140670
	1140670	1	Exhaust hose	L=780mm
19	961672	3	Hose clamp	Ratio 1.94:1, Ratio 1.82:1
20	3819914	1	Sleeve	Ratio 1.94:1, Ratio 1.82:1