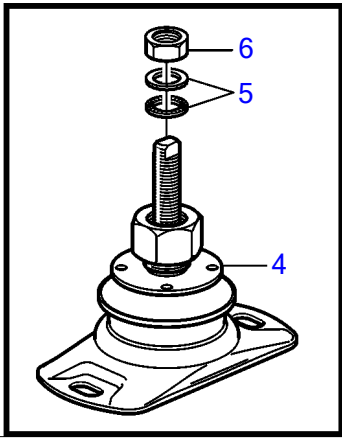
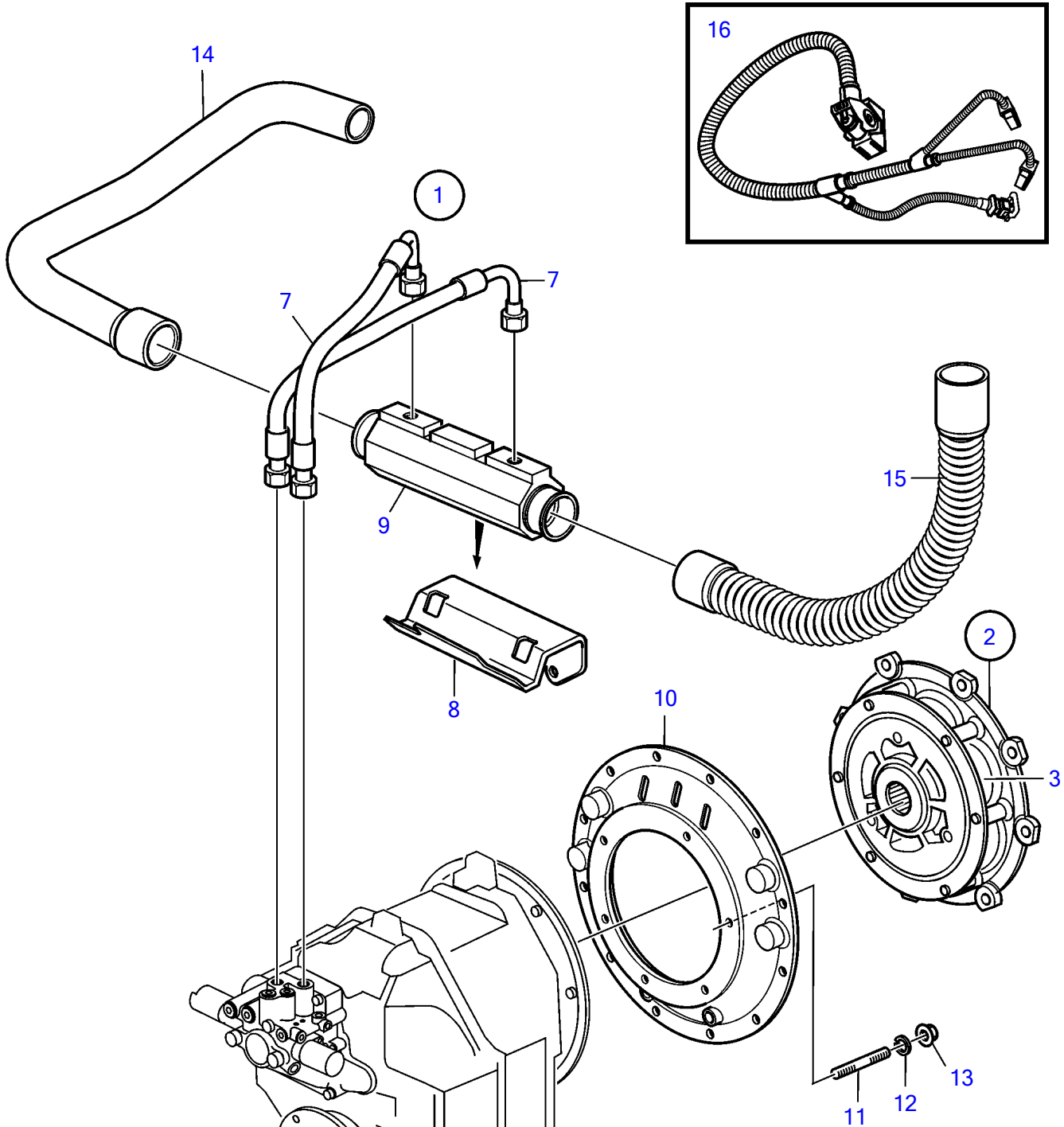


D6-280I-A, D6-280I-B, D6-280I-C, D6-280I-D, D6-280I-E, D6-310I-A, D6-310I-B, D6-310I-C, D6-310I-D, D6-330I-B, D6-330I-C, D6-330I-D, D6-310I-E, D6-330I-E



26611

D6-280I-A, D6-280I-B, D6-280I-C, D6-280I-D, D6-280I-E, D6-310I-A, D6-310I-B, D6-310I-C, D6-310I-D, D6-330I-B, D6-330I-C, D6-330I-D, D6-310I-E, D6-330I-E

| REF | PART NO. | QTY | DESCRIPTION | SEE SEC. | NOTES |
|-----|----------|-----|---------------------|-------------|-----------------------------------|
| 1 | | 1 | Connector kit | | |
| 2 | 21111688 | 1 | • Flexible coupling | | |
| 3 | 21509613 | 1 | • • Roller kit | | Kit includes 4 pcs rubber rollers |
| 4 | 21203504 | 2 | • Rubber cushion | | |
| | | | • Bulletin P-08-2-2 | P-08-2-2-EN | Measuring Gauge for Rubber Mounts |
| 5 | 847766 | 1 | • • Lock washer | | |
| 6 | 955786 | 1 | • • Hexagon nut | | |
| 7 | 3584428 | 2 | • Hose | | |
| 8 | 3584475 | 1 | • Bracket | | |
| 9 | 3584435 | 1 | • Oil cooler | | |
| 10 | 21328162 | 1 | • Adapter | | |
| 11 | 924075 | 6 | • Stud | | |
| 12 | 942336 | 6 | • Spring washer | | |
| 13 | 971071 | 6 | • Hexagon nut | | |
| 14 | 3583845 | 1 | • Hose | | |
| 15 | 3588788 | 1 | • Hose | | |
| 16 | 40005753 | 1 | • Wiring harness | | |
| | 3883882 | 1 | Wiring harness | | For earlier version. |