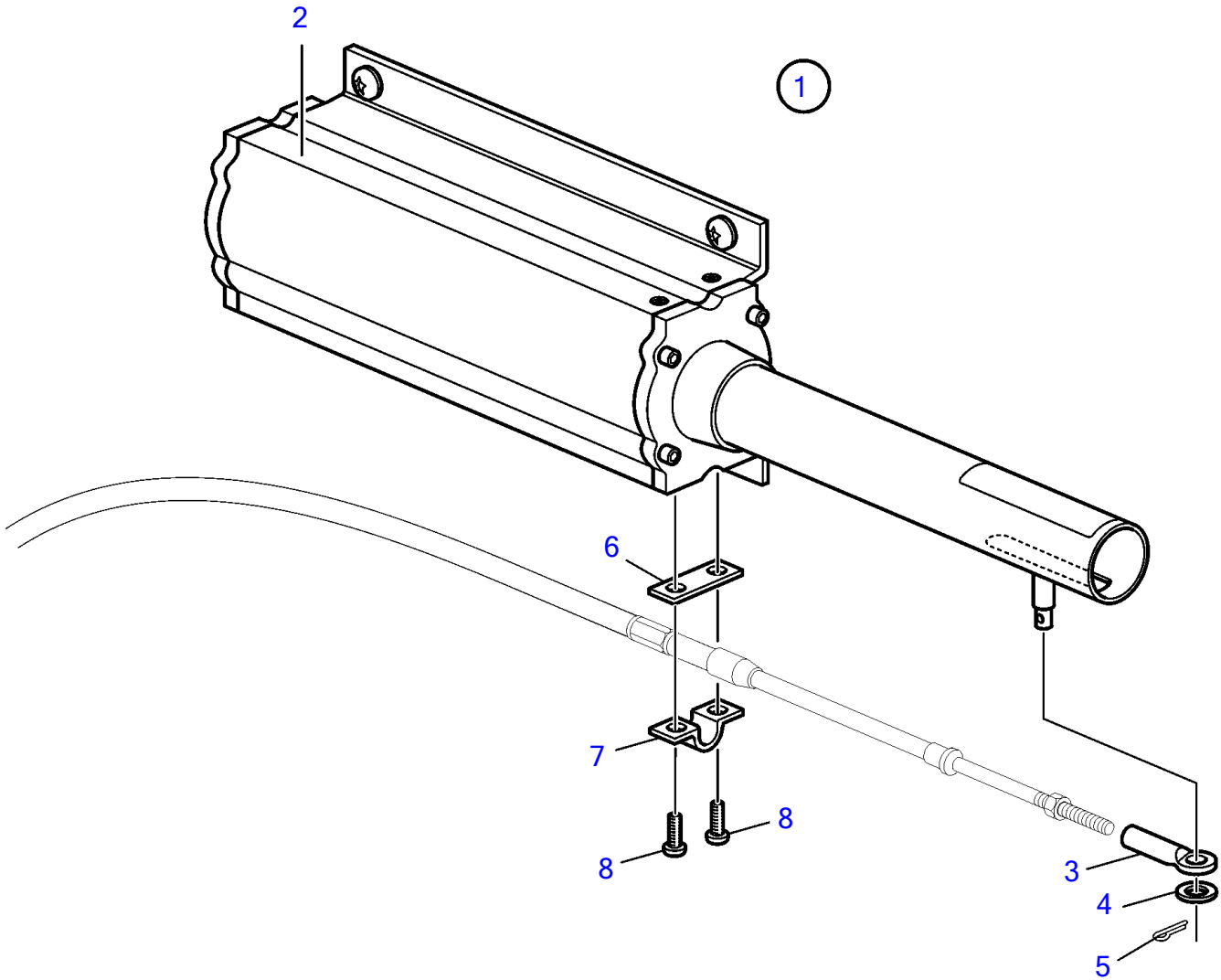


D6-280A-A, D6-280A-B, D6-280A-C, D6-280A-E, D6-310A-A, D6-310A-B, D6-310A-C, D6-330A-B, D6-330A-C, D6-350A-A, D6-350A-B, D6-370A-B, D6-370A-C, D6-310A-E, D6-330A-E, D6-370A-E, D6-400A-E, DPH-A, TSK DPH-B, DPR-A, DPR-B



24272

D6-280A-A, D6-280A-B, D6-280A-C, D6-280A-E, D6-310A-A, D6-310A-B, D6-310A-C, D6-330A-B, D6-330A-C, D6-350A-A, D6-350A-B, D6-370A-B, D6-370A-C, D6-310A-E, D6-330A-E, D6-370A-E, D6-400A-E, DPH-A, TSK DPH-B, DPR-A, DPR-B

REF	PART NO.	QTY	DESCRIPTION	NOTES
1	3817496	1	Actuator	Replaced by 21146097
	21146097	1	Actuator	Replaced by 21505553
	21505553	1	Actuator	
2		1	• Actuator	
3	3850941	1	• Adapter	
4	940191	1	• Washer	
5	17253	1	• Split pin	
6	819068	1	• Washer	
7	21471054	1	• Bracket	
8	973155	2	• 6 point socket screw	