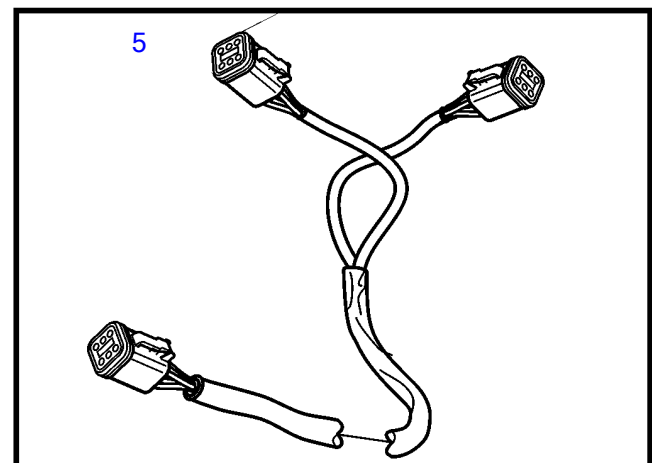
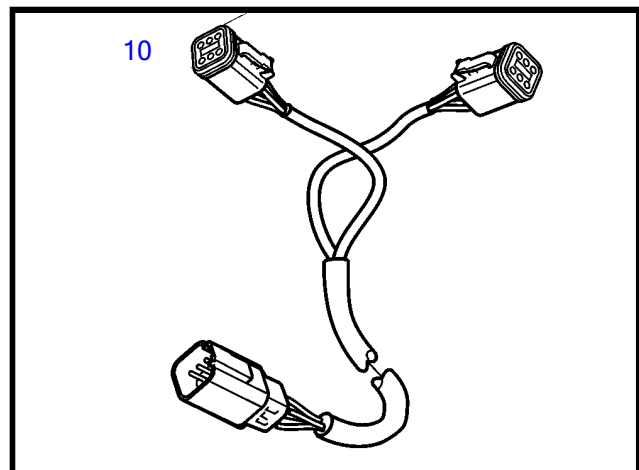
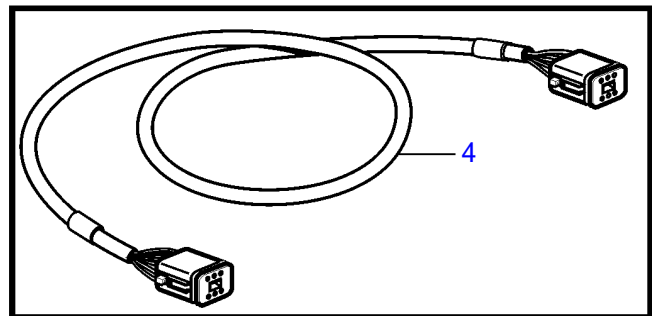
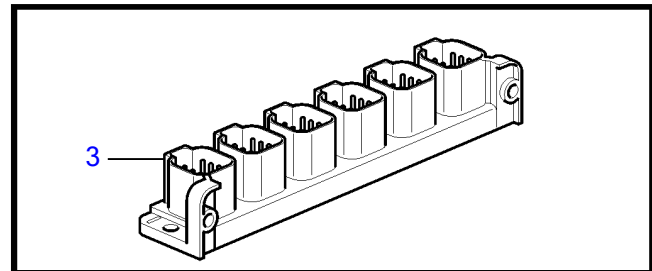
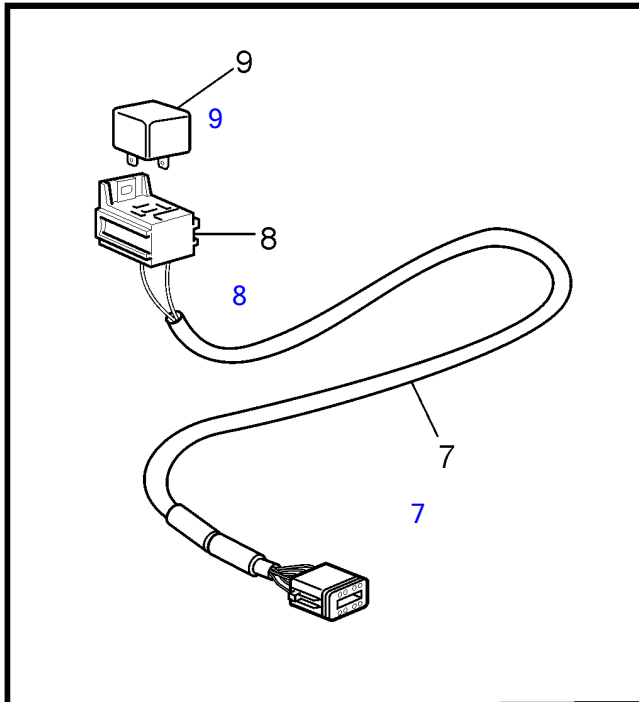
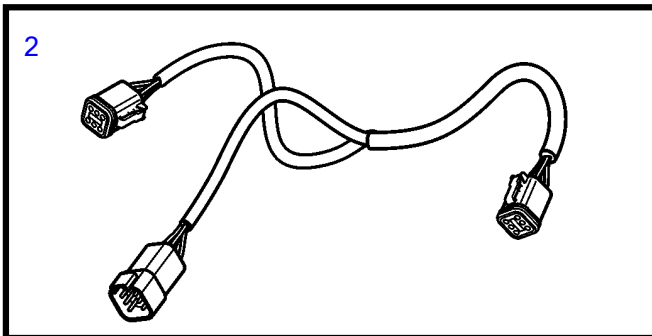
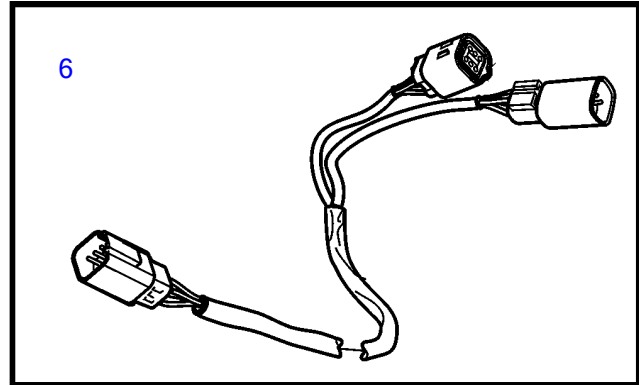
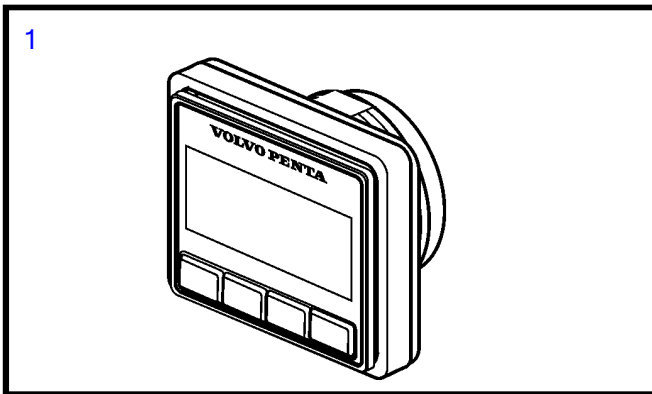


D6-280A-E, D6-280I-E, D6-310A-E, D6-310D-E, D6-310I-E, D6-330A-E, D6-330D-E, D6-330I-E, D6-370A-E, D6-370D-E, D6-370I-E, D6-400A-E, D6-435D-E, D6-435I-E



25291

D6-280A-E, D6-280I-E, D6-310A-E, D6-310D-E, D6-310I-E, D6-330A-E, D6-330D-E, D6-330I-E, D6-370A-E, D6-370D-E, D6-370I-E, D6-400A-E, D6-435D-E, D6-435I-E

REF	PART NO.	QTY	DESCRIPTION	NOTES
1	21761722	1	Display	
2	3588972	3	Cable kit	
3	21469055	2	Connection block	
4	3886666	7	Cable	
5	21287072	1	Wiring harness	
6	21421941	2	Cable	
7	21450563	2	Cable	
8	977184	1	• Housing	
9	873765	1	Relay	12V
	3171420	1	Relay	24V
10	21427460	1	Cable	