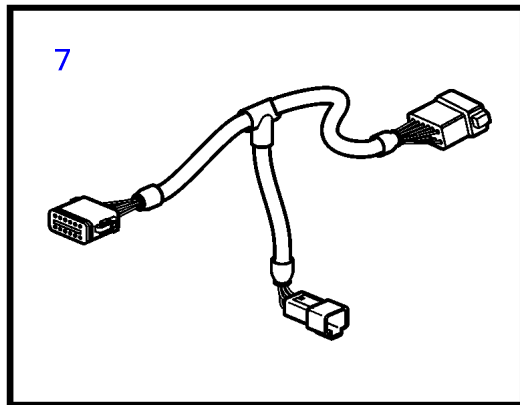
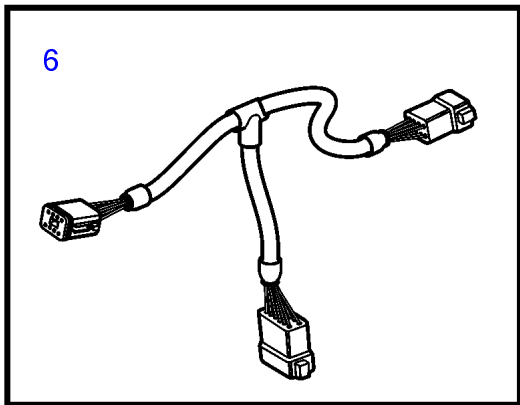
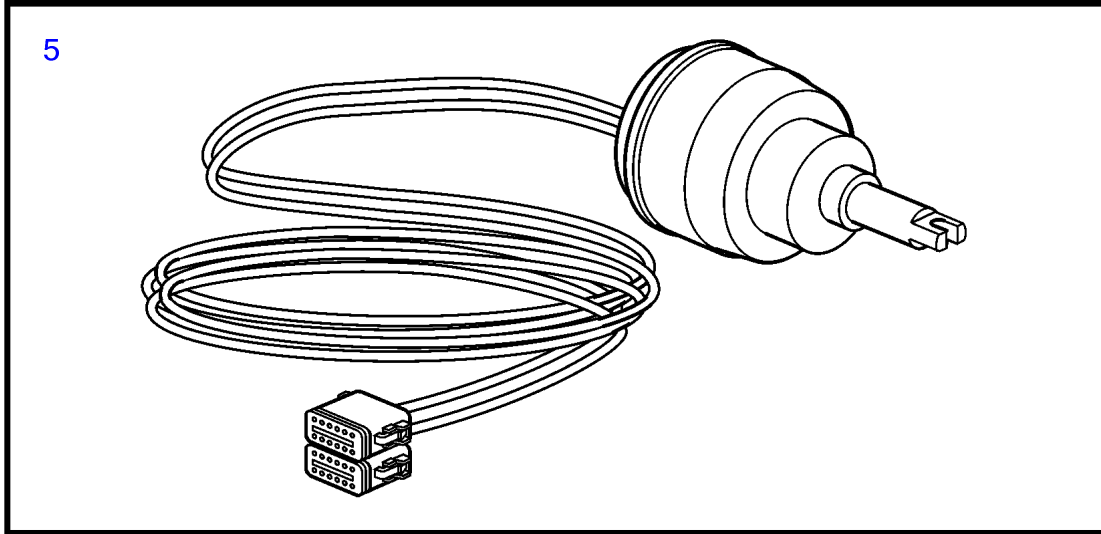
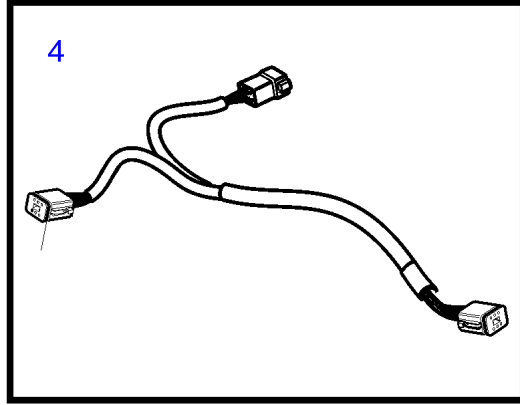
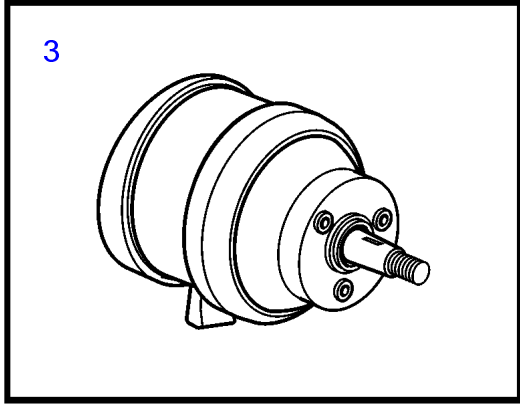
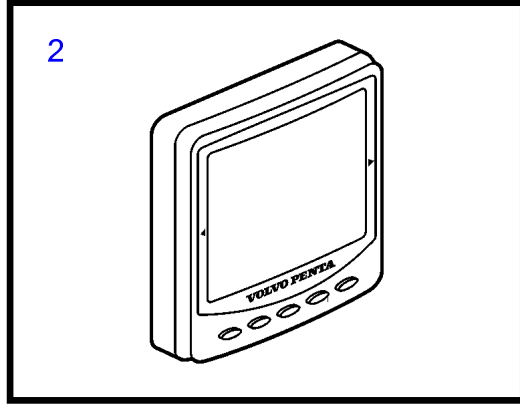
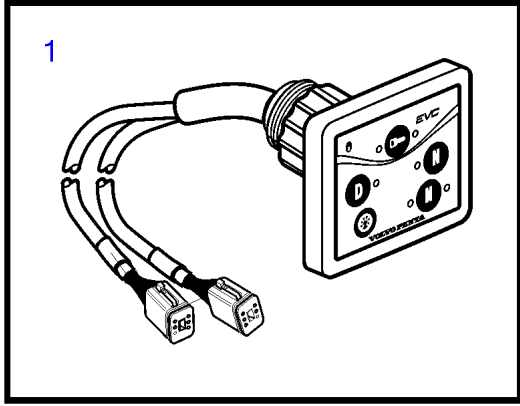


D6-310D-B, D6-370D-B



D6-310D-B, D6-370D-B

REF	PART NO.	QTY	DESCRIPTION	NOTES
1	21123928	1	Control panel	
2	3840958	1	Display	
3	3841280	1	Steering wheel adjus	
4	3588206	1	Cable kit, y-split	
5	3808380	1	Kit	
6	3884709	1	Wiring harness	4-20mA interface
7	3885342	1	Wiring harness	Joystick