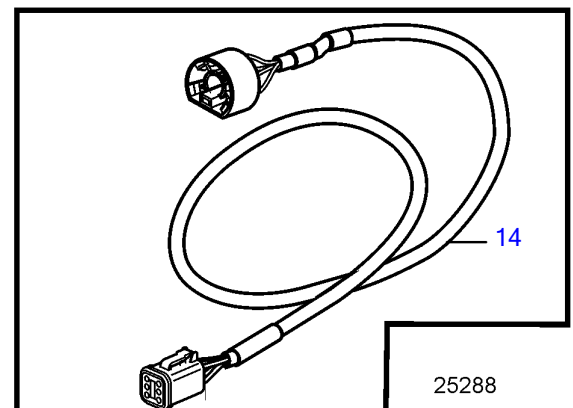
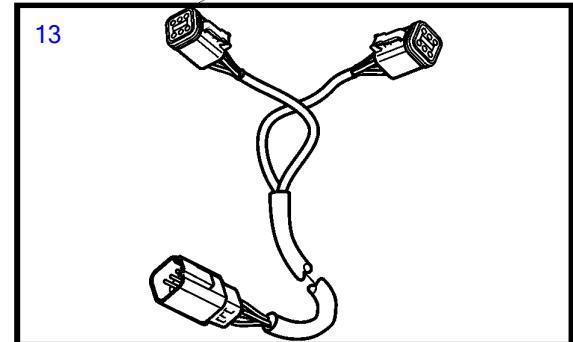
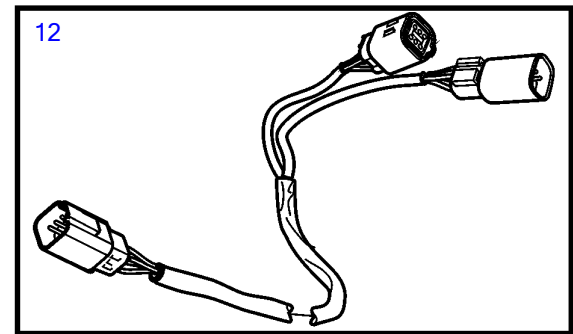
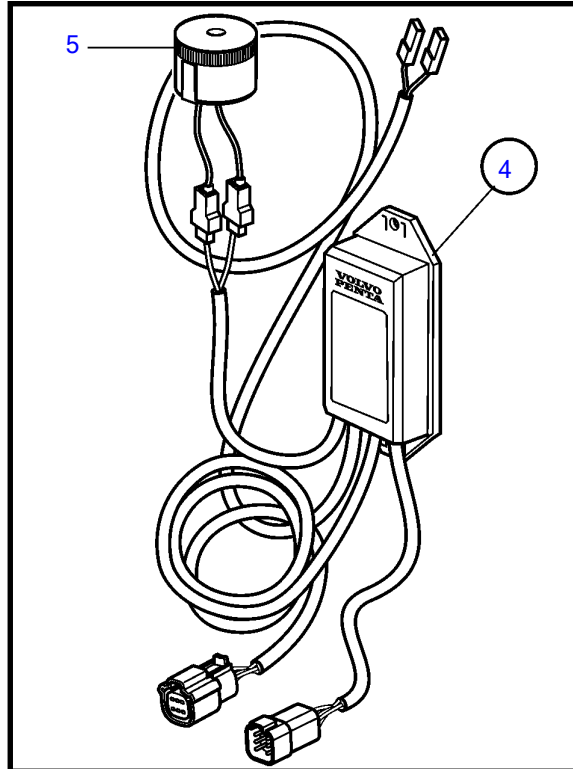
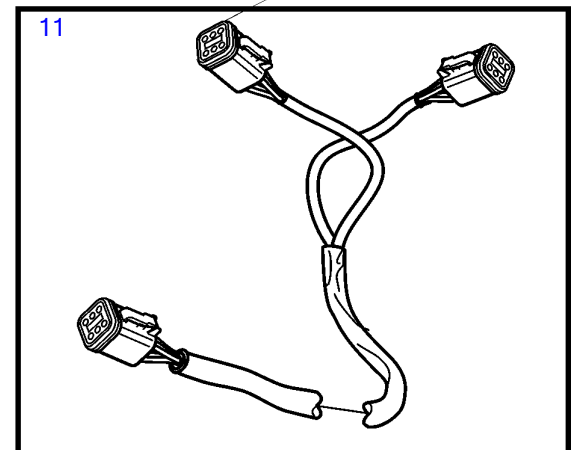
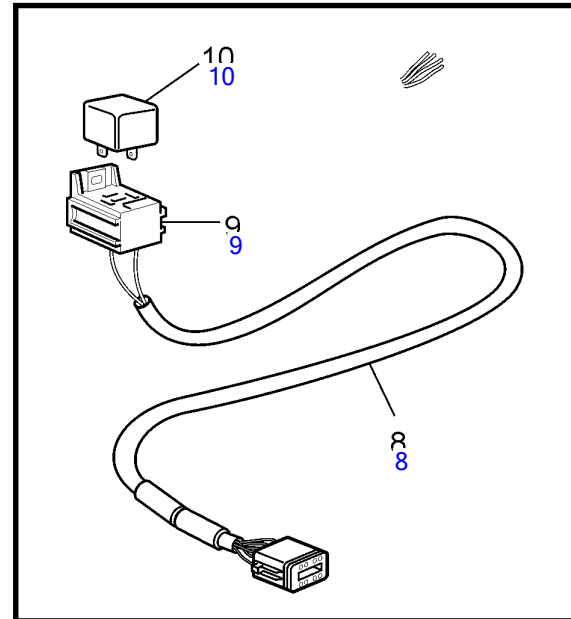
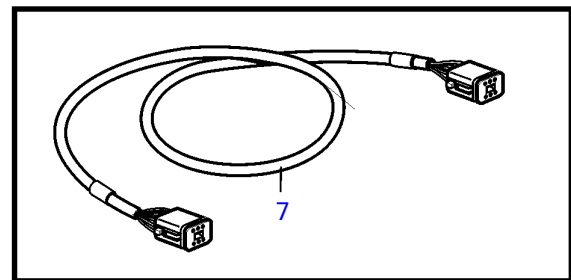
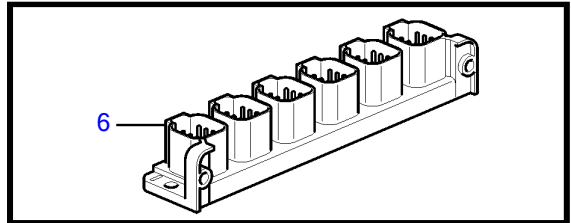
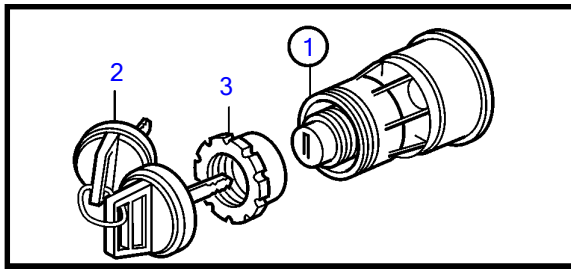


D6-280A-E, D6-280I-E, D6-310A-E, D6-310D-E, D6-310I-E, D6-330A-E, D6-330D-E, D6-330I-E, D6-370A-E, D6-370D-E, D6-370I-E, D6-400A-E, D6-435D-E, D6-435I-E



25288

D6-280A-E, D6-280I-E, D6-310A-E, D6-310D-E, D6-310I-E, D6-330A-E, D6-330D-E, D6-330I-E, D6-370A-E, D6-370D-E, D6-370I-E, D6-400A-E, D6-435D-E, D6-435I-E

REF	PART NO.	QTY	DESCRIPTION	SEE SEC.	NOTES
1	3587071	3	Starter switch		
2	859955	1	• Plastic nut		
3	859953	2	• Key		State key code when ordering
			• Bulletin 49-30	49-30-EN	Key P/N 859953
4	21461496	3	Network adapter		Analogue key interface
5	3817974	1	• Alarm		
6	21469055	2	Connection block		
7	3886666	7	Cable		
8	21450563	2	Cable		
9	977184	1	• Housing		
10	873765	1	• Relay		12V
	3171420	1	• Relay		24V
11	21287072	1	Wiring harness		
12	21421941	2	Cable		
13	21427460	1	Cable		
14	881849	3	Wiring harness		