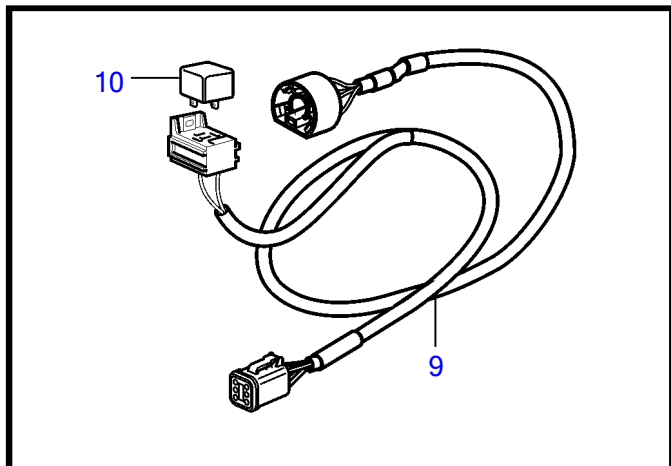
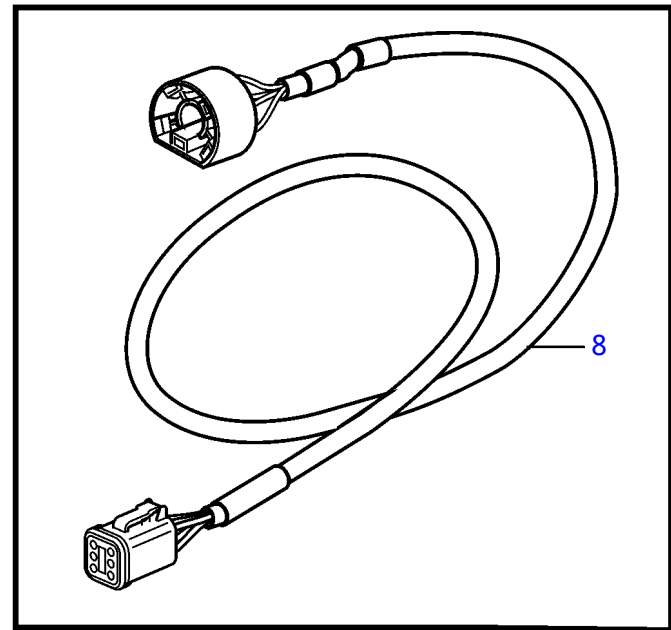
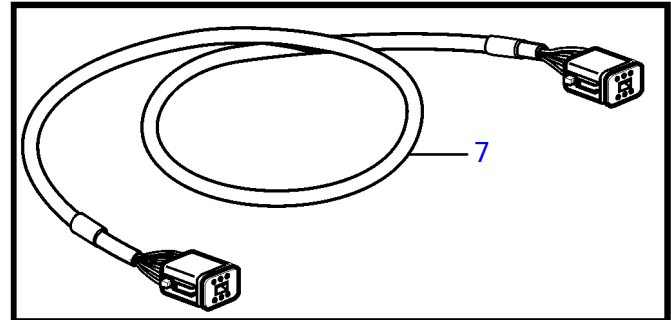
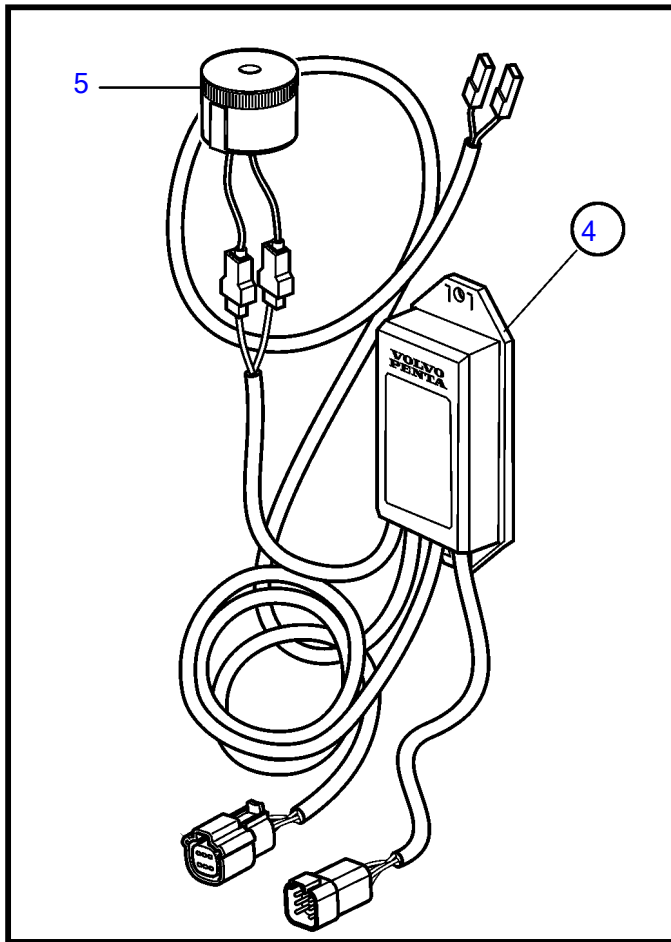
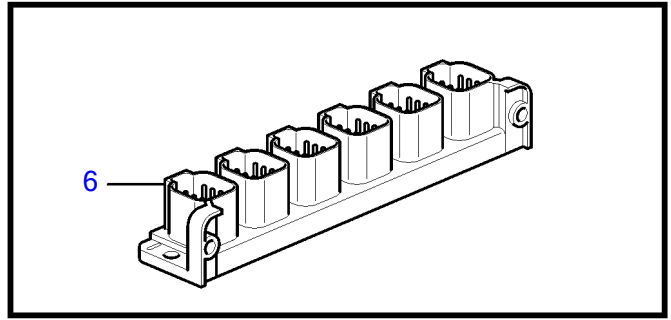
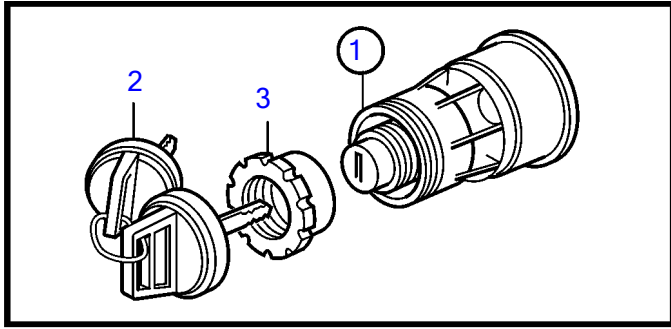


D6-280A-E, D6-280I-E, D6-310A-E, D6-310D-E, D6-310I-E, D6-330A-E, D6-330D-E, D6-330I-E, D6-370A-E, D6-370D-E, D6-370I-E, D6-400A-E, D6-435D-E, D6-435I-E



26508

D6-280A-E, D6-280I-E, D6-310A-E, D6-310D-E, D6-310I-E, D6-330A-E, D6-330D-E, D6-330I-E, D6-370A-E, D6-370D-E, D6-370I-E, D6-400A-E, D6-435D-E, D6-435I-E

| REF | PART NO. | QTY | DESCRIPTION | SEE SEC. | NOTES |
|-----|----------|-----|------------------|----------|------------------------------|
| 1 | 3587071 | 1 | Starter switch | | |
| 2 | 859955 | 1 | • Plastic nut | | |
| 3 | 859953 | 1 | • Key | | State key code when ordering |
| | | | • Bulletin 49-30 | 49-30-EN | Key P/N 859953 |
| 4 | 21461496 | 1 | Network adapter | | Analogue key interface |
| 5 | 3817974 | 1 | • Alarm | | |
| 6 | 21469055 | 1 | Connection block | | |
| 7 | 3886666 | 3 | Cable | | |
| 8 | 881849 | 1 | Wiring harness | | |
| 9 | 888004 | 1 | Cable | | |
| 10 | 873765 | 1 | Relay | | |