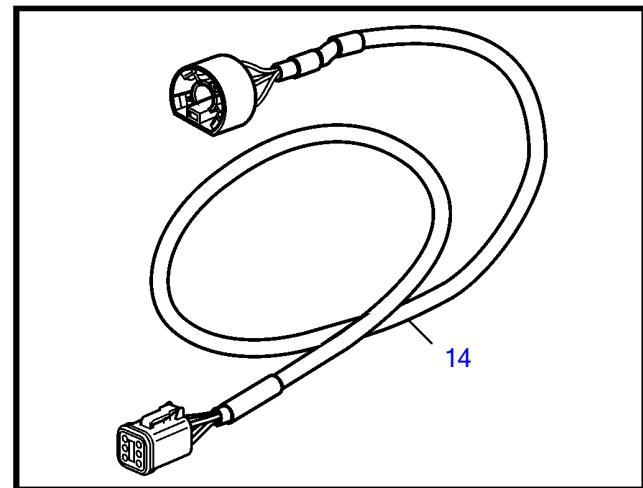
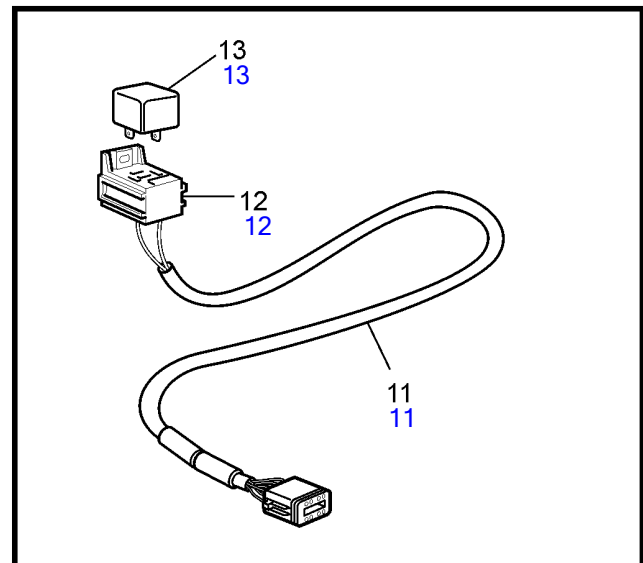
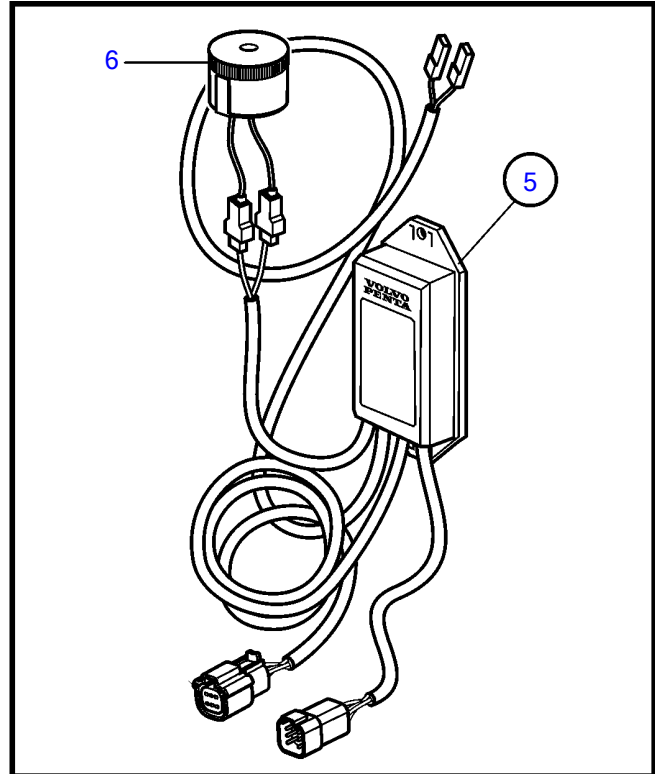
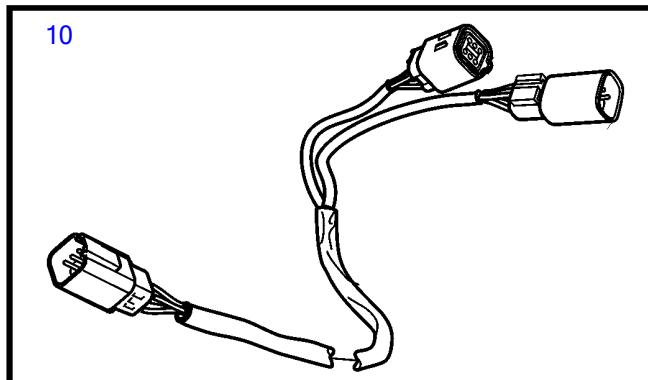
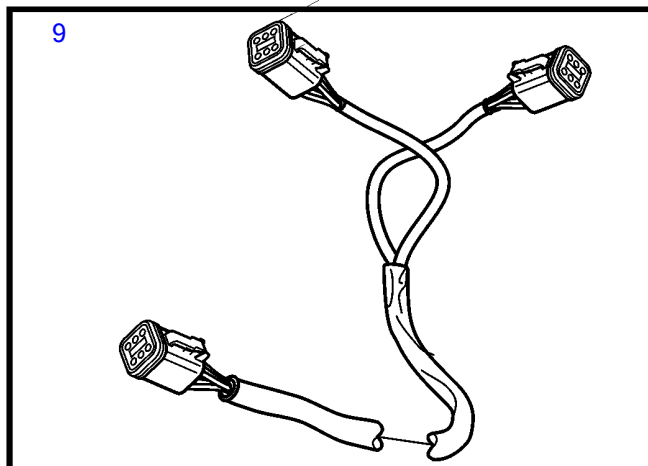
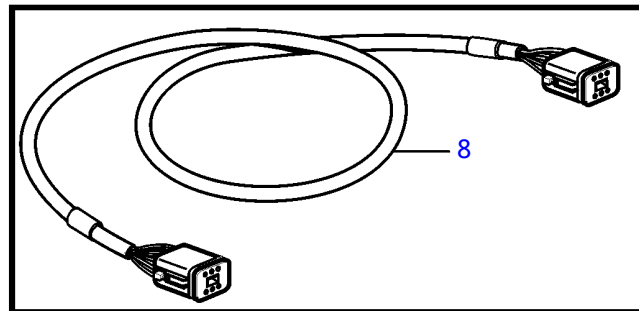
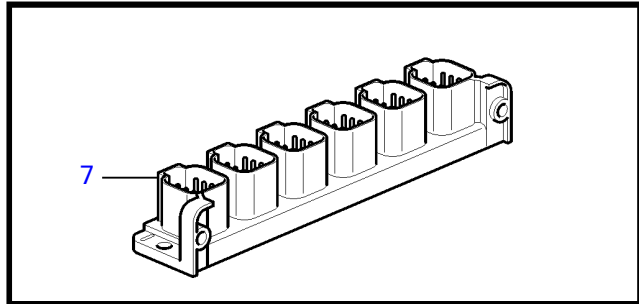
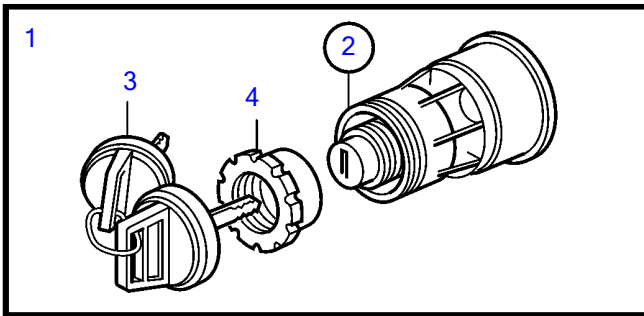


D6-280A-E, D6-280I-E, D6-310A-E, D6-310D-E, D6-310I-E, D6-330A-E, D6-330D-E, D6-330I-E, D6-370A-E, D6-370D-E, D6-370I-E, D6-400A-E, D6-435D-E, D6-435I-E



D6-280A-E, D6-280I-E, D6-310A-E, D6-310D-E, D6-310I-E, D6-330A-E, D6-330D-E, D6-330I-E, D6-370A-E, D6-370D-E, D6-370I-E, D6-400A-E, D6-435D-E, D6-435I-E

REF	PART NO.	QTY	DESCRIPTION	SEE SEC.	NOTES
1	3587070	3	Starter switch		
2	3587071	1	• Starter switch		
3	859955	1	• • Plastic nut		
4	859953	2	• • Key		State key code when ordering
			• Bulletin 49-30	49-30-EN	Key P/N 859953
5	21461496	3	Network adapter		Analogue key interface
6	3817974	1	• Alarm		
7	21469055	1	Connection block		
8	3886666	7	Cable		
9	21287072	1	Wiring harness		
10	21421941	2	Cable		
11	21450563	2	Cable		
12	977184	1	• Housing		
13	873765	1	• Relay		12V
	3171420	1	• Relay		24V
14	881849	1	Wiring harness		