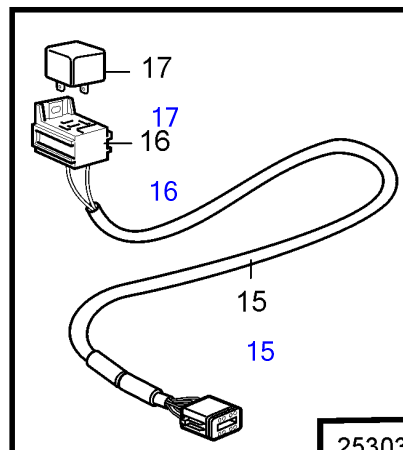
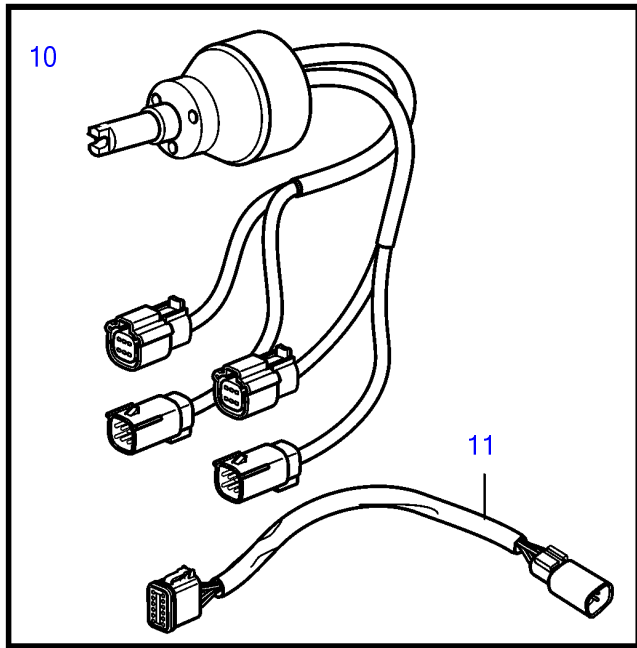
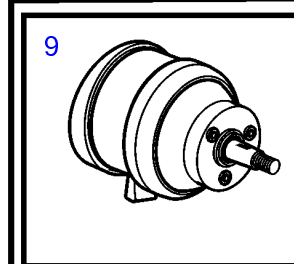
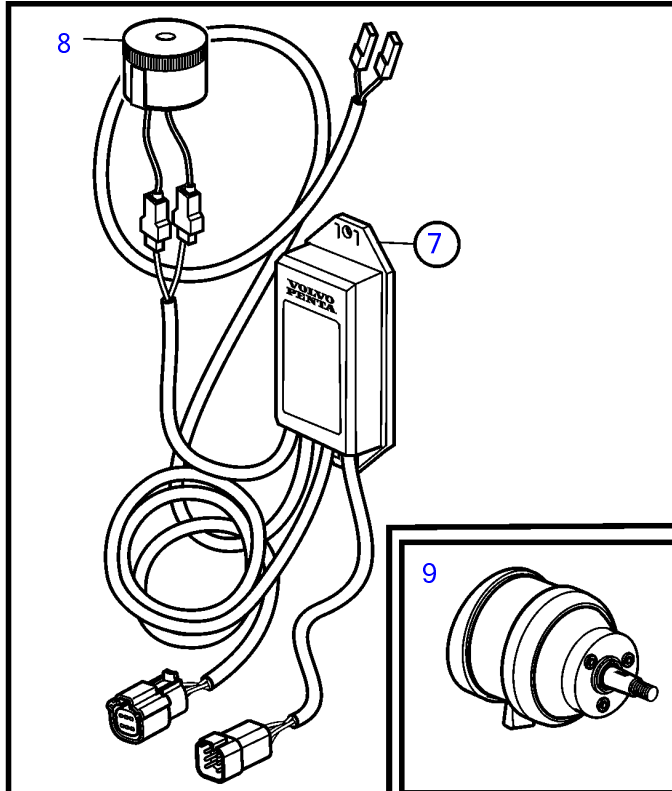
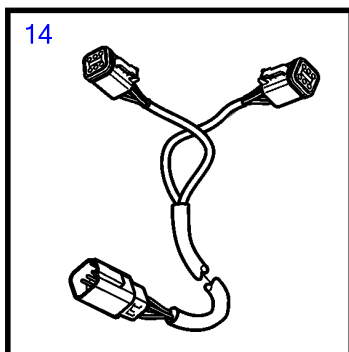
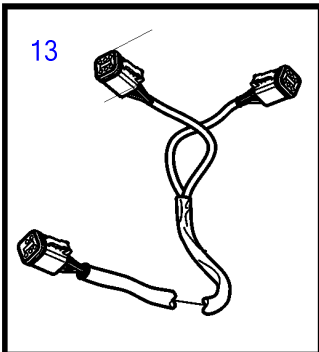
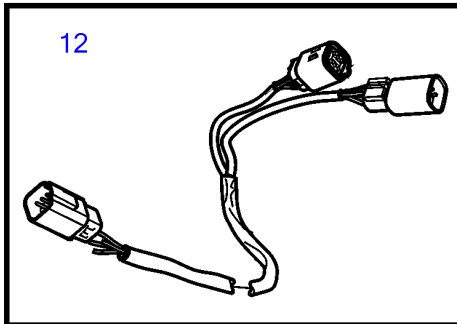
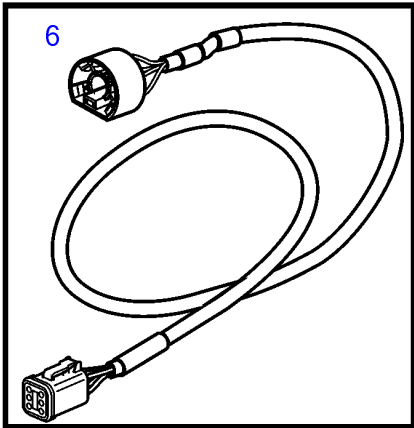
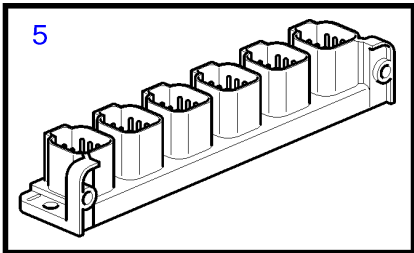
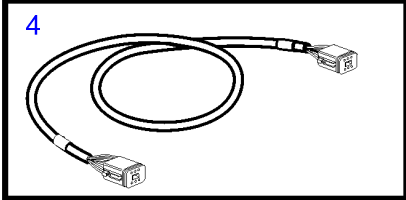
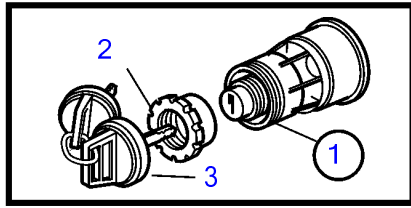


D6-310D-E, D6-330D-E, D6-370D-E, D6-435D-E



25303

D6-310D-E, D6-330D-E, D6-370D-E, D6-435D-E

REF	PART NO.	QTY	DESCRIPTION	SEE SEC.	NOTES
1	3587071	3	Starter switch		
2	859955	1	• Plastic nut		
3	859953	1	• Key		State key code when ordering
			• Bulletin 49-30	49-30-EN	Key P/N 859953
4	3886666	7	Cable		
5	21469055	2	Connection block		
6	881849	3	Wiring harness		
7	21461496	3	Network adapter		Analogue key interface
8	3817974	1	• Alarm		
9	3841280	1	Steering wheel adjus		
10	21469560	1	Steering wheel hub		
11	21421942	1	Cable		Alternative for EVC-C3
12	21421941	2	Cable		For EVC system and hub 21469560.
13	21287072	1	Wiring harness		
14	21427460	1	Cable		
15	21450563	2	Cable		
16	977184	1	• Housing		
17	873765	1	Relay		12V
	3171420	1	Relay		24V