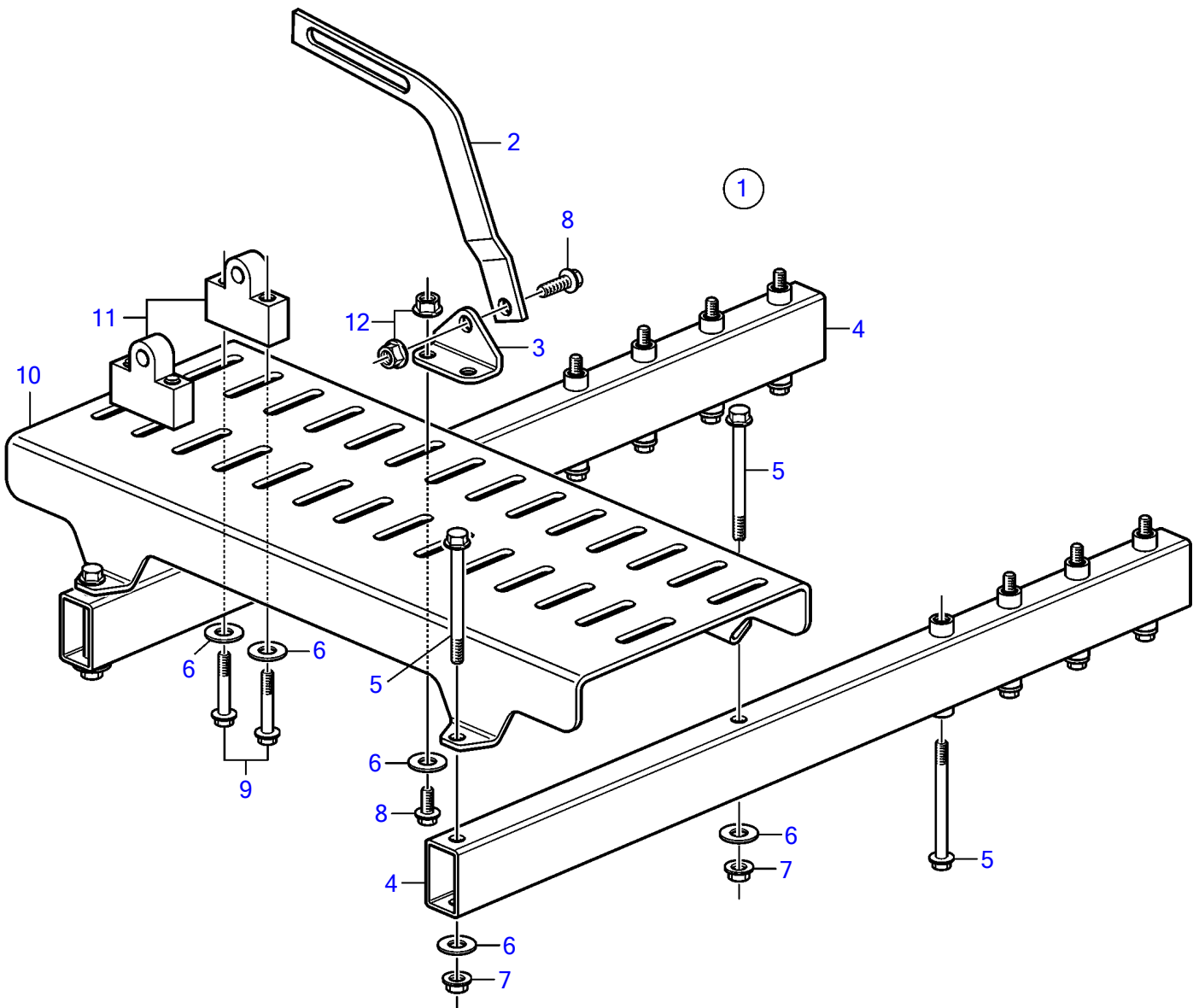


D6-280A-A, D6-280A-B, D6-280A-C, D6-280A-D, D6-280A-E, D6-280I-A, D6-280I-B, D6-280I-C, D6-280I-D, D6-280I-E, D6-310I-A, D6-310A-A, D6-310A-B, D6-310A-C, D6-310A-D, D6-310D-B, D6-310D-C, D6-310D-D, D6-310I-B, D6-310I-C, D6-310I-D, D6-330A-B, D6-330A-C, D6-330A-D, D6-330D-B, D6-330D-C, D6-330D-D, D6-330I-B, D6-330I-C, D6-330I-D, D6-350A-A, D6-350A-B, D6-370A-B, D6-370A-C, D6-370A-D, D6-370D-B, D6-370D-C, D6-370D-D, D6-370I-A, D6-370I-B, D6-370I-C, D6-370I-D, D6-310A-E, D6-310D-E, D6-310I-E, D6-330A-E, D6-330D-E, D6-330I-E, D6-370A-E, D6-370D-E, D6-370I-E, D6-400A-E, D6-435D-A, D6-435D-D, D6-435D-C, D6-435D-E, D6-435I-A, D6-435I-C, D6-435I-D, D6-435I-E



21426

D6-280A-A, D6-280A-B, D6-280A-C, D6-280A-D, D6-280A-E, D6-280I-A, D6-280I-B, D6-280I-C, D6-280I-D, D6-280I-E, D6-310I-A, D6-310A-A, D6-310A-B, D6-310A-C, D6-310A-D, D6-310D-B, D6-310D-C, D6-310D-D, D6-310I-B, D6-310I-C, D6-310I-D, D6-330A-B, D6-330A-C, D6-330A-D, D6-330D-B, D6-330D-C, D6-330D-D, D6-330I-B, D6-330I-C, D6-330I-D, D6-350A-A, D6-350A-B, D6-370A-B, D6-370A-C, D6-370A-D, D6-370D-B, D6-370D-C, D6-370D-D, D6-370I-A, D6-370I-B, D6-370I-C, D6-370I-D, D6-310A-E, D6-310D-E, D6-310I-E, D6-330A-E, D6-330D-E, D6-330I-E, D6-370A-E, D6-370D-E, D6-370I-E, D6-400A-E, D6-435D-A, D6-435D-D, D6-435D-C, D6-435D-E, D6-435I-A, D6-435I-C, D6-435I-D, D6-435I-E

REF	PART NO.	QTY	DESCRIPTION
1	3584501	1	Universal bracket
2	845021	2	• Tensioner
3	858177	4	• Bracket
4	3807983	2	• Bracket
5	965182	12	• Flange screw
6	948880	10	• Washer
7	948645	4	• Flange lock nut
8	946173	6	• Flange screw
9	947760	4	• Flange screw
10	3807984	1	• Bracket
11	3808661	2	• Support
12	945408	6	• Flange nut