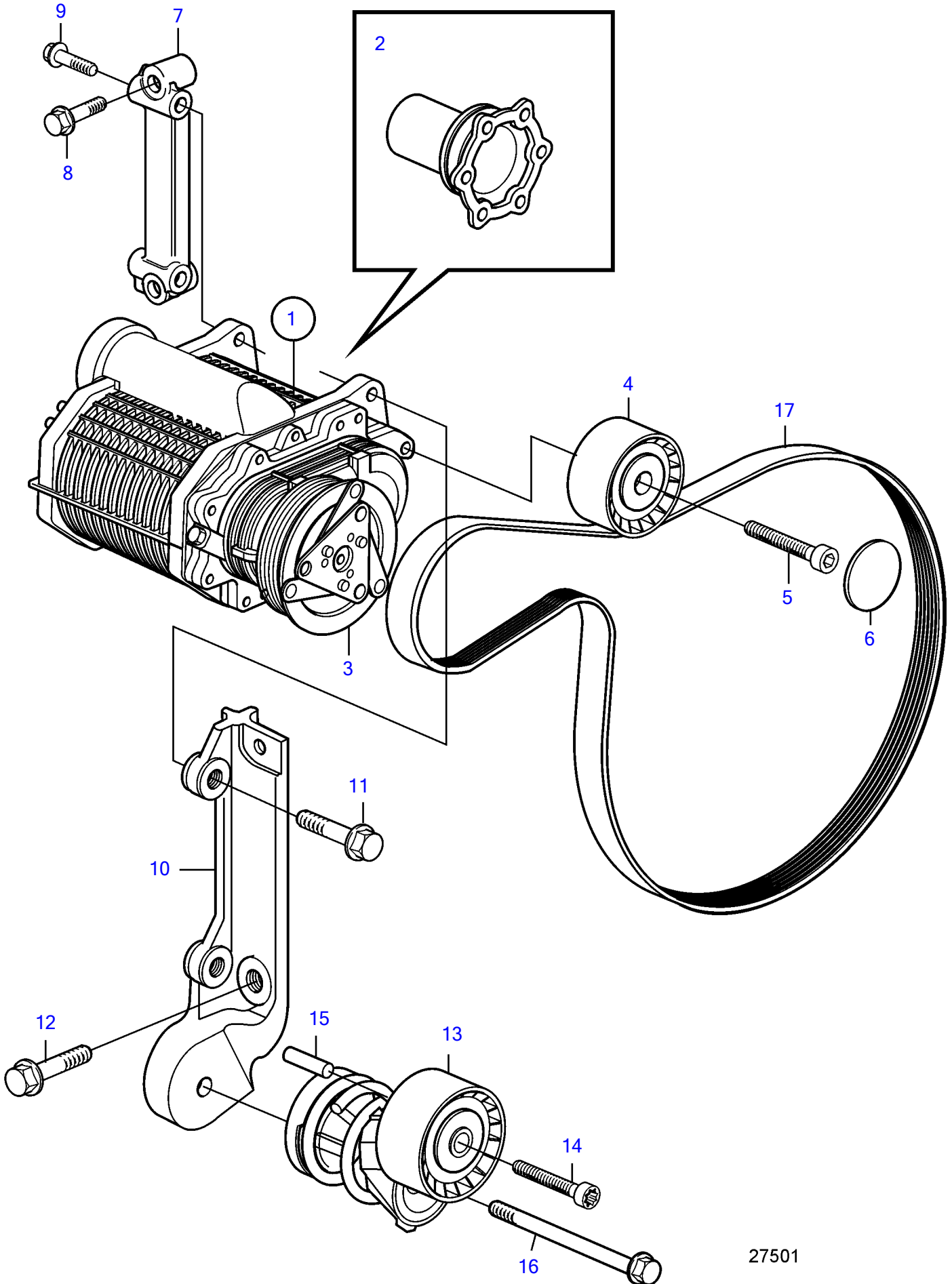


D6-400A-E, D6-435D-A, D6-435D-D, D6-435D-C, D6-435D-E, D6-435I-A, D6-435I-C, D6-435I-D, D6-435I-E



27501

D6-400A-E, D6-435D-A, D6-435D-D, D6-435D-C, D6-435D-E, D6-435I-A, D6-435I-C, D6-435I-D, D6-435I-E

REF	PART NO.	QTY	DESCRIPTION	SEE SEC.	NOTES
1	3812783	1	Supercharger		12V
	3801242	1	Compressor, exch, exch		12V
	3817945	1	Supercharger		24V
	3801243	1	Compressor, exch, exch		24V
2	22409091	1	• Spindle		
3	3841051	1	Clutch		12V, Shims are included
	3842714	1	Clutch		24V
4	3848896	1	Idler pulley		SN-2006032252, Replaced by 21280913
	21280913	1	Idler pulley		SN-2006032252
			• Installation Instruction 7749376	7749376-EN	Idler Pulley
4	3847482	1	Idler pulley		SN2006032253-
5	959224	1	Hex. socket screw		
6		1	Protecting cover		
7	3887774	1	Support		
8	946472	2	Flange screw		
9	946329	2	Flange screw		
10	3588069	1	Bracket		
11	947790	2	Flange screw		(965186)
12	965222	2	Flange screw		(946472)
13	21678750	1	Belt tensioner		(3883784)
14		1	• Allen head screw		
15	950542	1	Pin		
16	947790	1	Flange screw		
17	21405493	1	Belt		