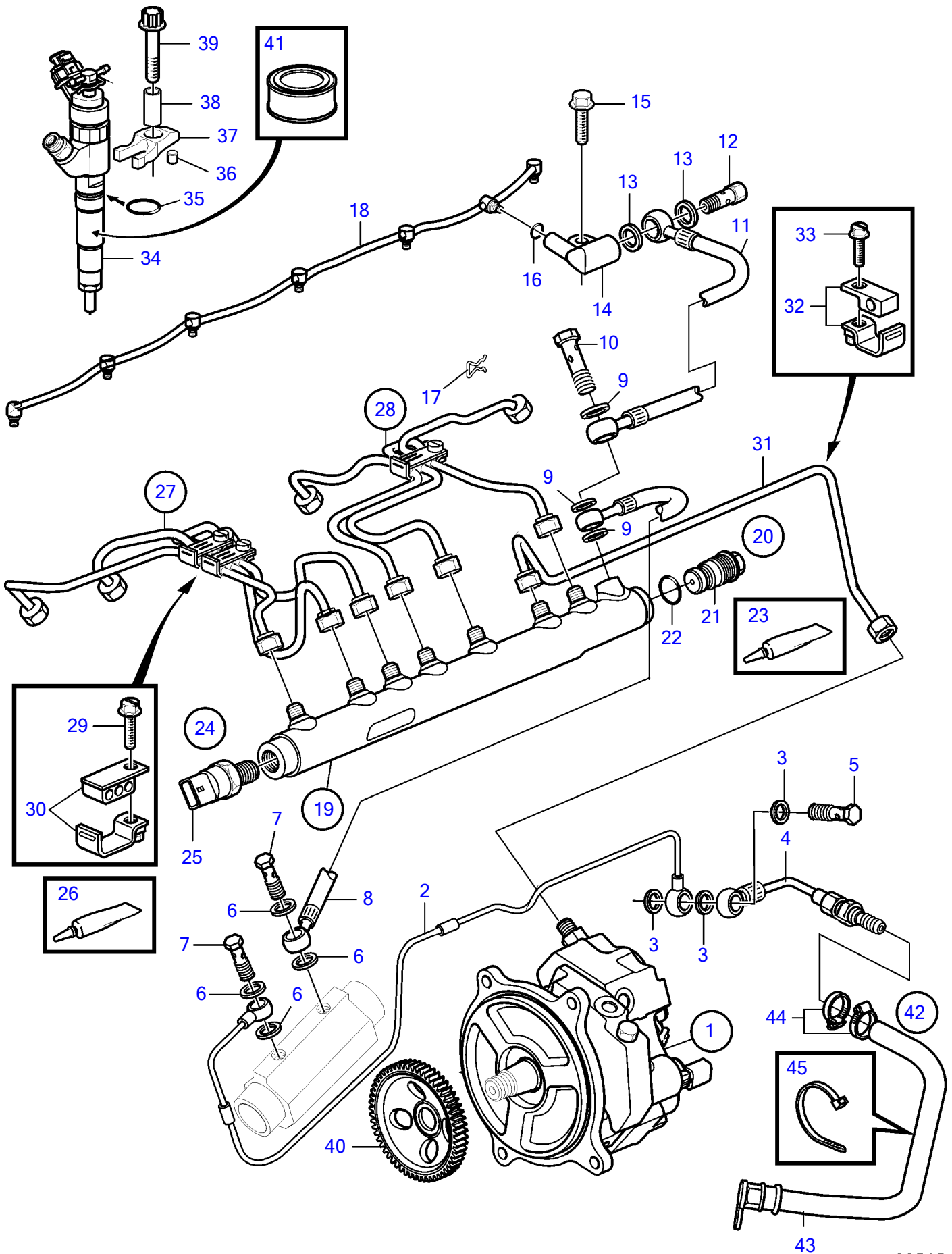


D6-280A-A, D6-280A-B, D6-280I-A, D6-280I-B, D6-310I-A, D6-310A-A, D6-310A-B, D6-310D-B, D6-310I-B, D6-330A-B, D6-330D-B, D6-330I-B, D6-350A-A, D6-350A-B, D6-370A-B, D6-370D-B, D6-370I-A, D6-370I-B



26515

D6-280A-A, D6-280A-B, D6-280I-A, D6-280I-B, D6-310I-A, D6-310A-A, D6-310A-B, D6-310D-B, D6-310I-B, D6-330A-B, D6-330D-B, D6-330I-B, D6-350A-A, D6-350A-B, D6-370A-B, D6-370D-B, D6-370I-A, D6-370I-B

REF	PART NO.	QTY	DESCRIPTION	SEE SEC.	NOTES
1	3803633	1	High-pressure pump, •	6600	
2	3583893	1	Fuel hose		
3	11994	3	Gasket		
4	21822234	1	Return connection		
5	947975	1	Hollow screw		
6	20852763	4	Sealing ring		
7	969299	2	Hollow screw		
8	3584368	1	Fuel hose		
9	11994	3	Gasket		
10	947975	1	Hollow screw		
11	3584366	1	Fuel hose		
12	3584427	1	Pressure retaining v		
13	969011	2	Gasket		
14	3583123	1	Valve housing		
15	946173	1	Flange screw		
16	3589700	7	O-ring		
17	3583122	1	Lock spring		
18	3582803	1	Leak-off line		
19	3584371	1	Rail		SN-2006003696
	3588740	1	Rail		SN2006003697-
	3885742	1	Rail		SN2006010978-
20	3884353	1	• Pressure limiting va		(3807013)
21	3884350	1	• • Pressure limiting va		
22	3588336	1	• • • O-ring		
23	828250	1	• • Lubricating grease • Bulletin P-18-4-6	P-18-4-6-EN	Water resistant grease for grease gun (3587927)
24	3884352	1	• Pressure sensor		
25	3843100	1	• • Pressure sensor		
26	828250	1	• • Lubricating grease • Bulletin P-18-4-6	P-18-4-6-EN	Water resistant grease for grease gun (3588026)
27	3812506	1	Delivery pipe kit		
28	3588027	1	Delivery pipe kit		
29	3586005	2	Screw		
30	3586007	2	Clamp		
31	3582796	1	Delivery pipe		
32	3588018	2	Clamp		
33	946544	2	Flange screw		
34	3801294	6	Injector		SN-2006003696
	3801295	6	Injector		SN2006003697-
35	3887602	6	O-ring		
36	3583442	6	Support		
37	3582669	6	Clamp		
38	889789	6	Sleeve		
39	3586690	6	Six point screw		
40	889749	1	Gear		
41	3588346	X	Lubricant		500G
42	21967719	1	Hose		
43	21945682	1	• Hose		
44	961664	2	• Hose clamp		
45	980464	1	• Cable tie		