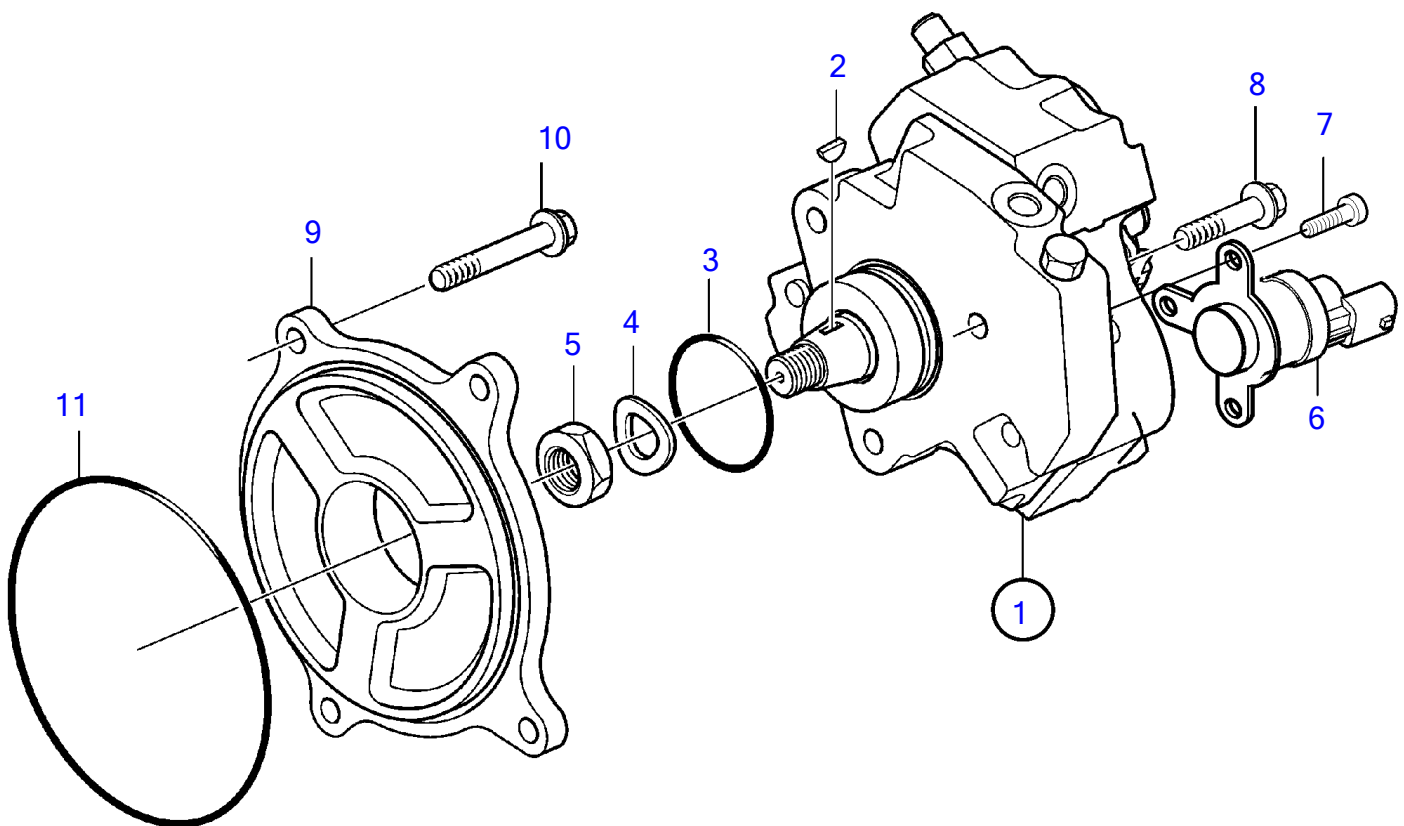


D6-280A-A, D6-280A-B, D6-280A-C, D6-280A-D, D6-280A-E, D6-280I-A, D6-280I-B, D6-280I-C, D6-280I-D, D6-280I-E, D6-310I-A, D6-310A-A, D6-310A-B, D6-310A-C, D6-310A-D, D6-310D-B, D6-310D-C, D6-310D-D, D6-310I-B, D6-310I-C, D6-310I-D, D6-330A-B, D6-330A-C, D6-330A-D, D6-330D-B, D6-330D-C, D6-330D-D, D6-330I-B, D6-330I-C, D6-330I-D, D6-350A-A, D6-350A-B, D6-370A-B, D6-370A-C, D6-370A-D, D6-370D-B, D6-370D-C, D6-370D-D, D6-370I-A, D6-370I-B, D6-370I-C, D6-370I-D, D6-310A-E, D6-310D-E, D6-310I-E, D6-330A-E, D6-330D-E, D6-330I-E, D6-370A-E, D6-370D-E, D6-370I-E, D6-400A-E, D6-435D-A, D6-435D-D, D6-435D-C, D6-435D-E, D6-435I-A, D6-435I-C, D6-435I-D, D6-435I-E



26502

D6-280A-A, D6-280A-B, D6-280A-C, D6-280A-D, D6-280A-E, D6-280I-A, D6-280I-B, D6-280I-C, D6-280I-D, D6-280I-E, D6-310I-A, D6-310A-A, D6-310A-B, D6-310A-C, D6-310A-D, D6-310D-B, D6-310D-C, D6-310D-D, D6-310I-B, D6-310I-C, D6-310I-D, D6-330A-B, D6-330A-C, D6-330A-D, D6-330D-B, D6-330D-C, D6-330D-D, D6-330I-B, D6-330I-C, D6-330I-D, D6-350A-A, D6-350A-B, D6-370A-B, D6-370A-C, D6-370A-D, D6-370D-B, D6-370D-C, D6-370D-D, D6-370I-A, D6-370I-B, D6-370I-C, D6-370I-D, D6-310A-E, D6-310D-E, D6-310I-E, D6-330A-E, D6-330D-E, D6-330I-E, D6-370A-E, D6-370D-E, D6-370I-E, D6-400A-E, D6-435D-A, D6-435D-D, D6-435D-C, D6-435D-E, D6-435I-A, D6-435I-C, D6-435I-D, D6-435I-E

REF	PART NO.	QTY	DESCRIPTION	NOTES
1	3803633	1	High-pressure pump,	
2	243734	1	• Woodruff key	
3	8631580	1	• O-ring	
4	3588228	1	• Spring washer	
5	3588229	1	• Hexagon nut	
6	21945363	1	Solenoid valve	
7	959190	3	Hex. socket screw	
8	947760	3	Flange screw	L=40mm
9	3885130	1	Intermediate plate	
10	965217	4	Flange screw	L=65mm
11	948888	1	O-ring	