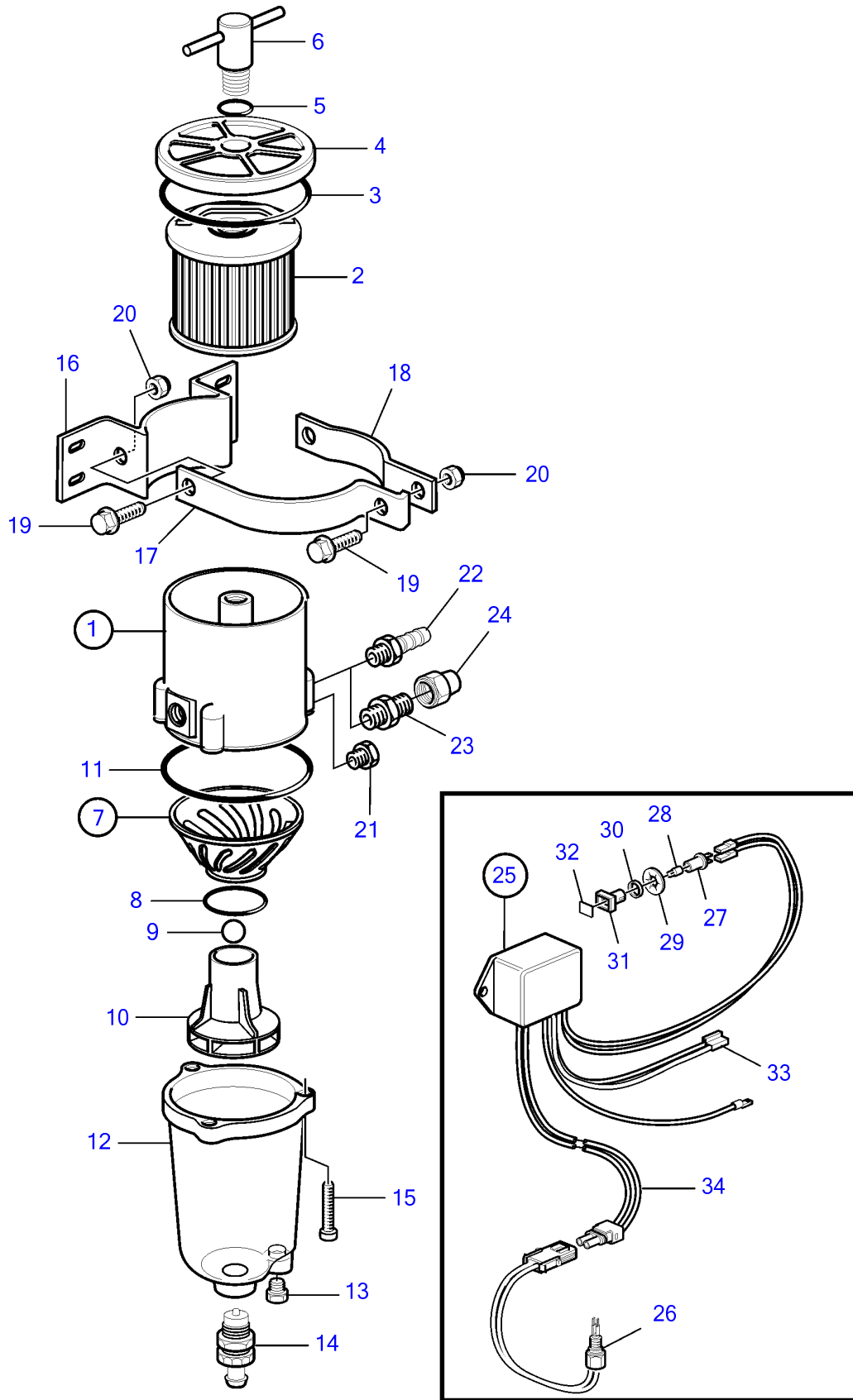


D6-280A-A, D6-280A-B, D6-280A-C, D6-280A-D, D6-280A-E, D6-280I-A, D6-280I-B, D6-280I-C, D6-280I-D, D6-280I-E, D6-310I-A, D6-310A-A, D6-310A-B, D6-310A-C, D6-310A-D, D6-310D-B, D6-310D-C, D6-310D-D, D6-310I-B, D6-310I-C, D6-310I-D, D6-330A-B, D6-330A-C, D6-330A-D, D6-330D-B, D6-330D-C, D6-330D-D, D6-330I-B, D6-330I-C, D6-330I-D, D6-350A-A, D6-350A-B, D6-370A-B, D6-370A-C, D6-370A-D, D6-370D-B, D6-370D-C, D6-370D-D, D6-370I-A, D6-370I-B, D6-370I-C, D6-370I-D, D6-310A-E, D6-310D-E, D6-310I-E, D6-330A-E, D6-330D-E, D6-330I-E, D6-370A-E, D6-370D-E, D6-370I-E, D6-400A-E, D6-435D-A, D6-435D-D, D6-435D-C, D6-435D-E, D6-435I-A, D6-435I-C, D6-435I-D, D6-435I-E



D6-280A-A, D6-280A-B, D6-280A-C, D6-280A-D, D6-280A-E, D6-280I-A, D6-280I-B, D6-280I-C, D6-280I-D, D6-280I-E, D6-310I-A, D6-310A-A, D6-310A-B, D6-310A-C, D6-310A-D, D6-310D-B, D6-310D-C, D6-310D-D, D6-310I-B, D6-310I-C, D6-310I-D, D6-330A-B, D6-330A-C, D6-330A-D, D6-330D-B, D6-330D-C, D6-330D-D, D6-330I-B, D6-330I-C, D6-330I-D, D6-350A-A, D6-350A-B, D6-370A-B, D6-370A-C, D6-370A-D, D6-370D-B, D6-370D-C, D6-370D-D, D6-370I-A, D6-370I-B, D6-370I-C, D6-370I-D, D6-310A-E, D6-310D-E, D6-310I-E, D6-330A-E, D6-330D-E, D6-330I-E, D6-370A-E, D6-370D-E, D6-370I-E, D6-400A-E, D6-435D-A, D6-435D-D, D6-435D-C, D6-435D-E, D6-435I-A, D6-435I-C, D6-435I-D, D6-435I-E

REF	PART NO.	QTY	DESCRIPTION	SEE SEC.	NOTES
1	861143	1	Fuel filter		Repl by 877762
			• Bulletin 50-03	50-03-EN	Extra Fuel/Water Separators, D2010, D22
			• Bulletin 50-10	50-10-EN	Changes in Fuel Filter Program due to Legislation
			• Bulletin 50-11A	50-11A-EN	Fuel Filters / Water Separators
1	877762	1	Fuel filter		
			• Bulletin P-44-5-18	P-44-5-18-EN	Water in Fuel Alarm for fuel pre-filters
1			•		
			•	9024	
2	1147147	1	• Fuel filter insert		2 mikron
	861014	1	• Insert		10 mikron, Std
	3581760	1	• Insert		30 mikron
3	838504	1	• Gasket		
4		1	• Lock		
5	838505	1	• O-ring		
6		1	• Handle		
7	861455	1	• O-ring		
8		1	• • O-ring		
9		1	• • Ball		
10		1	• • Insert		
11	3838861	1	• • Gasket		(838502)
12	3838848	1	• Bowl		(861453)
13		1	• Plug		
14	861456	1	• Faucet		
15	950024	4	• Cross recessed screw		
16		1	• Bracket		
17		1	• Clamp		
18		1	• Clamp		
19		3	• Screw		
20		3	• Nut		
21		1	• Plug		
22	3825000	X	Hose nipple		(834781)
23	954337	X	Nipple		
24	954323	X	Fitting nut		
25	1140724	1	Level guard		
26	3588916	1	• Alarm kit		
27	808175	1	• Lamp socket		
28	19923	1	• Bulb		12V, 2W
	182059	1	• Bulb		24V, 3W
29	967583	1	• Retainer		
30	829714	1	• Sealing ring		
31	838455	1	• Retainer		
32	872591	1	• Symbol strip		
33		X	• cables and terminals	1963	
34	881774	1	Wiring harness		