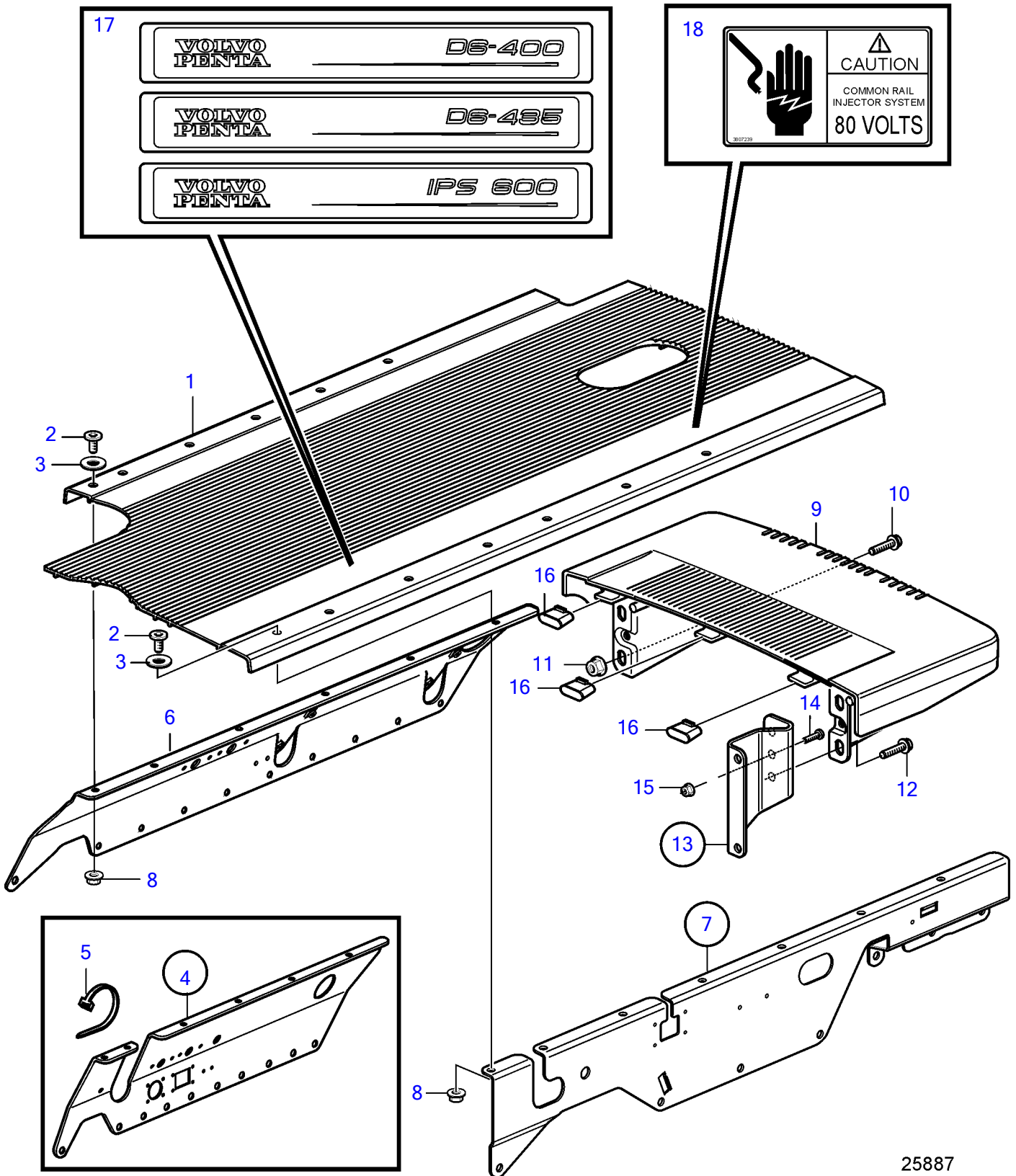


D6-400A-E, D6-435D-D, D6-435D-C, D6-435D-E, D6-435I-C, D6-435I-D, D6-435I-E



D6-400A-E, D6-435D-D, D6-435D-C, D6-435D-E, D6-435I-C, D6-435I-D, D6-435I-E

REF	PART NO.	QTY	DESCRIPTION	NOTES
1	3818384	1	Cover	
2	971319	13	6 point socket screw	
3	3584061	14	Washer	
4	3841118	1	Support	SB, 12V, SN-A154743
	3841119	1	Support	SB, 24V, SN-A154357
5	948211	2	• Cable tie	
6	21557786	1	Support	SB, 12V, SNA154744-
	21552285	1	Support	SB, 24V, SNA154358-
7	3595189	1	Support	P
8		8	• Weld nut	
9	3843860	1	Cover	
10	946173	4	Flange screw	
11	945408	2	Flange nut	
12	946671	2	Flange screw	
13	3819691	1	Bracket	
14	969407	1	• 6 point socket screw	
15	949874	1	• Flange lock nut	
16	3584091	3	Support	
17	21661341	1	Decal	D6-400
	3817789	1	Decal	D6-435
	3817347	1	Decal	IPS 600
18	3807239	1	Decal	

7746210-21-35096

25887

Upd:2014-07-03