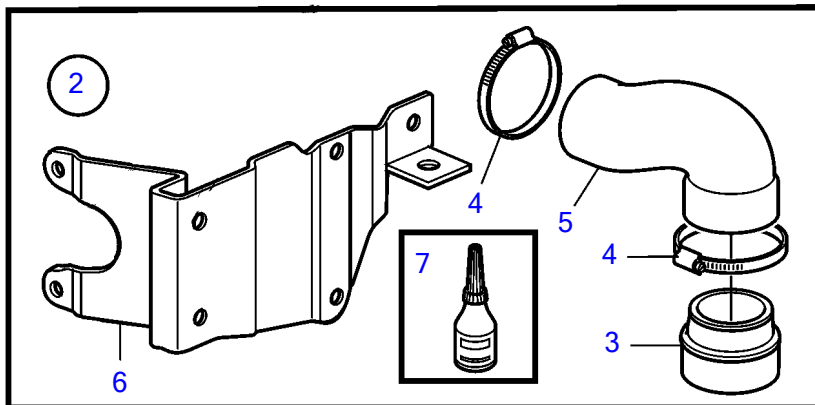
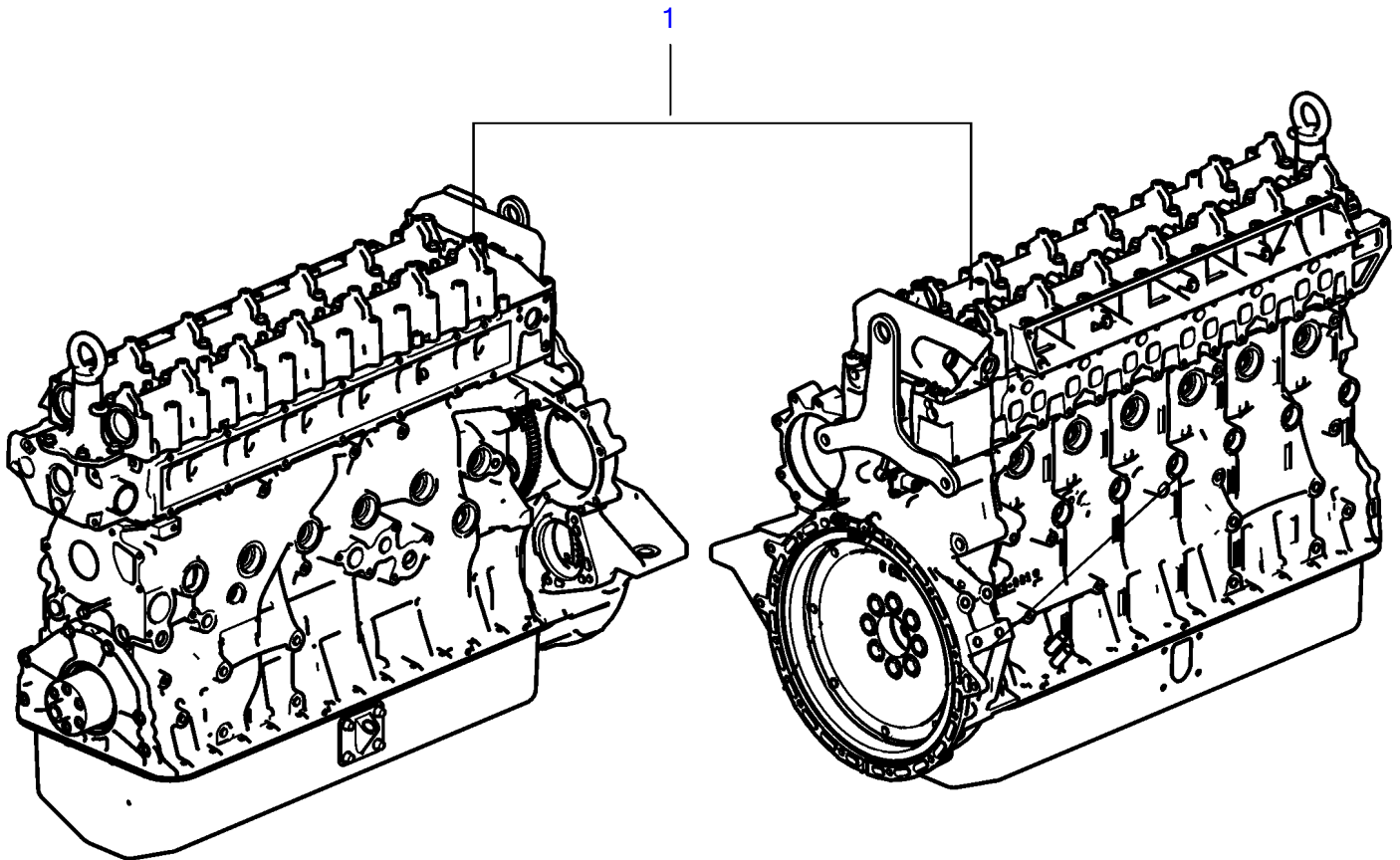


D6-280A-A, D6-280A-B, D6-280A-C, D6-280A-D, D6-280A-E, D6-280I-A, D6-280I-B, D6-280I-C, D6-280I-D, D6-280I-E, D6-310I-A, D6-310A-A, D6-310A-B, D6-310A-C, D6-310A-D, D6-310D-B, D6-310D-C, D6-310D-D, D6-310I-B, D6-310I-C, D6-310I-D, D6-330A-B, D6-330A-C, D6-330A-D, D6-330D-B, D6-330D-C, D6-330D-D, D6-330I-B, D6-330I-C, D6-330I-D, D6-350A-A, D6-350A-B, D6-370A-B, D6-370A-C, D6-370A-D, D6-370D-B, D6-370D-C, D6-370D-D, D6-370I-A, D6-370I-B, D6-370I-C, D6-370I-D, D6-310A-E, D6-310D-E, D6-310I-E, D6-330A-E, D6-330D-E, D6-330I-E, D6-370A-E, D6-370D-E, D6-370I-E



27080

D6-280A-A, D6-280A-B, D6-280A-C, D6-280A-D, D6-280A-E, D6-280I-A, D6-280I-B, D6-280I-C, D6-280I-D, D6-280I-E, D6-310I-A, D6-310A-A, D6-310A-B, D6-310A-C, D6-310A-D, D6-310D-B, D6-310D-C, D6-310D-D, D6-310I-B, D6-310I-C, D6-310I-D, D6-330A-B, D6-330A-C, D6-330A-D, D6-330D-B, D6-330D-C, D6-330D-D, D6-330I-B, D6-330I-C, D6-330I-D, D6-350A-A, D6-350A-B, D6-370A-B, D6-370A-C, D6-370A-D, D6-370D-B, D6-370D-C, D6-370D-D, D6-370I-A, D6-370I-B, D6-370I-C, D6-370I-D, D6-310A-E, D6-310D-E, D6-310I-E, D6-330A-E, D6-330D-E, D6-330I-E, D6-370A-E, D6-370D-E, D6-370I-E

| REF | PART NO. | QTY | DESCRIPTION | SEE SEC. | NOTES |
|-----|----------|-----|----------------------|--------------|--|
| 1 | 3801377 | 1 | Longblock engine | | |
| | | | • Bulletin P-21-0-20 | P-21-0-20-EN | Longblocks for Diesel Engines |
| | | | • Bulletin P-21-0-23 | P-21-0-23-EN | New Exchange Units for Volvo Penta Engines |
| 2 | 21181057 | 1 | Connector kit | | SN-2006033257 |
| 3 | 3808092 | 1 | • Pipe connection | | |
| 4 | 943479 | 2 | • Hose clamp | | |
| 5 | 3593996 | 1 | • Hose | | |
| 6 | 21368510 | 1 | • Bracket | | |
| 7 | 1161370 | 1 | • Adhesive | | 50ml |