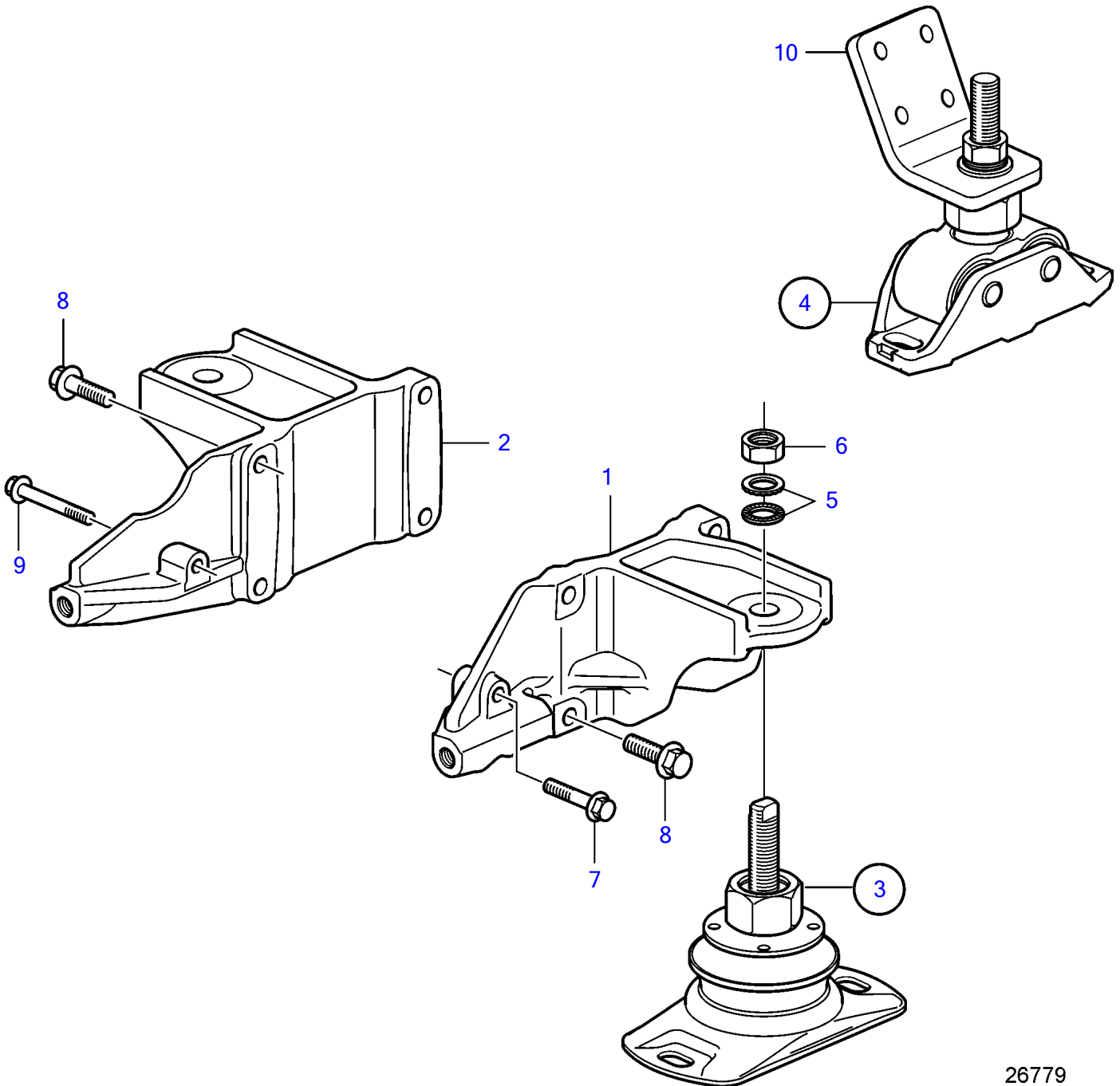


D6-280I-A, D6-280I-B, D6-280I-C, D6-280I-D, D6-280I-E, D6-310I-A, D6-310I-B, D6-310I-C, D6-310I-D, D6-330I-B, D6-330I-C, D6-330I-D, D6-370I-A, D6-370I-B, D6-370I-C, D6-370I-D, D6-310I-E, D6-330I-E, D6-370I-E, D6-435I-A, D6-435I-C, D6-435I-D, D6-435I-E



26779

D6-280I-A, D6-280I-B, D6-280I-C, D6-280I-D, D6-280I-E, D6-310I-A, D6-310I-B, D6-310I-C, D6-310I-D, D6-330I-B, D6-330I-C, D6-330I-D, D6-370I-A, D6-370I-B, D6-370I-C, D6-370I-D, D6-310I-E, D6-330I-E, D6-370I-E, D6-435I-A, D6-435I-C, D6-435I-D, D6-435I-E

| REF | PART NO. | QTY | DESCRIPTION | SEE SEC. | NOTES |
|-----|----------|-----|---------------------|-------------|---|
| 1 | 3583516 | 1 | Engine bracket | | |
| 2 | 3807719 | 1 | Engine bracket | | S.B, Front |
| 3 | 21203504 | 2 | Rubber cushion | | |
| | | | • Bulletin P-08-2-2 | P-08-2-2-EN | Measuring Gauge for Rubber Mounts V-drive |
| 4 | 3886942 | 2 | Rubber cushion | | |
| 5 | 847766 | 1 | • Lock washer | | |
| 6 | 955786 | 1 | • Hexagon nut | | |
| 7 | 965186 | 1 | Flange screw | | L=50mm |
| 8 | 965192 | 8 | Flange screw | | L=40mm |
| 9 | 965188 | 1 | Flange screw | | L=70mm |
| 10 | 3583620 | 2 | Engine bracket | | Rear |